

Sarix Value 2 Series Wedge

2 MP

5-YEAR WARRANTY

The Sarix Value 2 Series Wedge Camera brings security back to the basics, offering a budget-friendly solution to fill coverage gaps, without compromising quality. With essential features at an affordable price, the Value 2 Series is a perfect choice for those looking for a no-frills approach to security.



Features



Focus on what matters most

This camera provides necessary alerts, notifying you if someone enters the scene or attempts to tamper with the device, keeping your security simple and focused on what truly matters.



Security that shines

Reduce The camera understands when the sun goes down or the lights turn off and will adjust the imaging, so you can see perfectly no matter the condition.



Easily connect to protect

Eliminate the stress that comes from your security setup. Install and activate your Value 2 Series camera on your existing VMS with ease.



Cover your tracks

Create a smoother, safer and more secure experience for all passengers on board. The Sarix Value 2 Series¹ can withstand vibrations and shocks to capture critical details even within a moving train.

For more information visit [pelco.com](https://www.pelco.com)

¹Only available on the Sarix Value 2 Series Wedge Camera.

Specifications

Image Performance		2.0 MP
Image Sensor	1/2.8" CMOS	
Imaging Area (Diagonal)	6.45 mm	
Aspect Ratio	16:9	
Dynamic Range	WDR Off	Up to 80 dB
	WDR On	Up to 110 dB
Active Pixels (H x V)	1937 x 1097	
Max Frame Rate	(50 Hz/60 Hz): 25 fps/30 fps	
Streaming Resolutions	(16:9) 1920x1080, 1280x720, 640x360, 512x288 (4:3) 1600x1200, 1280 x 960, 768 x 576, 640 x 480, 384x288, 368x264	
Bandwidth Management	SmartCodec technology; Dynamic GOP	
3D Noise Reduction Filter	Yes	
Signal-to-Noise Ratio (SNR)	> 50 dB	

Lens and IR Illumination		2.0 MP
Lens Focal Length (EFL)	2.8 mm Fixed	
IR Illumination (high power 850 nm LEDs)	20 m	
Minimum Illumination Without IR	Color mode: 0.02 lux Black and White mode: 0.01 lux	
Horizontal Angle of View Based on Aspect Ratio	(16:9) 105°	
Vertical Angle of View Based on Aspect Ratio	(16:9) 56°	
Max Aperture	F1.6	
Lens Control	IR Cut Filter	

Image Control		2.0 MP
Image Compression Method	H.264, H.265, Motion JPEG, Pelco Smart Compression	
Streaming	Multi-stream H.264, Multi-stream H.265, Motion JPEG	
Motion Detection	Pixel motion: Selectable sensitivity and threshold. Classified object detection	
Electronic Shutter Control	Automatic, Manual (1/2 to 1/32000 sec), Shutter-Priority: (1/2 to 1/10000 sec)	
Day/Night Control	Automatic, Color, Monochrome	
Flicker Control	50 Hz, 60 Hz	
Iris Control	Fixed	
White Balance	Automatic, Manual	
Backlight Compensation	Adjustable	
Image Rotation	0°,90°, 180°, 270° including Corridor Mode	
Privacy Zones	Up to 8 zones	
Motion Detection	Pixel motion: Selectable sensitivity and threshold	
Tamper Detection	Yes	

Network	
Network	100Base-T/TX, auto sensing
Cabling Type	CAT5 or better
Connector	RJ-45 (M12 to RJ45 adapter)
ONVIF	ONVIF® compliance Profile S, Profile T, Profile M and Profile G (www.onvif.org)
Security	Password protection, HTTPS encryption, digest authentication, WS authentication, user access log, 802.1x port based authentication, SSL Encryption, Secure Boot
Protocols	IPv6, IPv4, HTTP, HTTPS, DNS, NTP, RTSP, RTCP, RTP, RTMP, TCP, UDP, IGMP, ICMP, DHCP, Zeroconf, ARP, uPnP, DDNS, FTP, SFTP, SSH,TLS/TTLS, SNMP, QOS
Streaming Protocols	RTP/UDP, RTP/UDP multicast, RTP/RTSP/TCP, RTP/RTSP/HTTP/TCP, RTP/RTSP/HTTPS/TCP, HTTP
Device Management Protocols	SNMP v2c, SNMP v3

Peripherals	
Onboard Storage	MicroSD/microSDHC/microSDXC slot - Class V10 or better recommended. 1TB Card Tested.
USB Port	Micro USB

Mechanical	
Dimensions (LxWxH), Camera Assembly	111.5 mm (4.39 in) x 111 mm (4.37 in) x 87.6 mm (2.27 in)
Weight, Camera	409g
Dome Bubble	Polycarbonate
Body	Aluminum Alloy
Housing	Aluminum Alloy
Finish	Powder coat, close to Pantone 427C
Adjustment Range	Pan: 180°, Azimuth: 355°, Tilt: 0° – 75° tilt (recommended), 0° – 90° tilt (maximum)

Electrical	
Power Consumption	<12.95W
Power Source	PoE: IEEE 802.3af Class 3 (Only POE Mode A)
Interface	M12 (Pigtail with RJ45 included)
Memory	512MB RAM, 256MB Flash

Environmental	
Operating Temperature	-10°C to +60°C (14°F to 140°F)
Startup Temperature	-10°C to +60°C (14°F to 140°F)
Absolute Maximum Temperature	60°C (140°F)
Storage Temperature	-40°C to +60°C (-40°F to 140°F)
Humidity	90% non-condensing

Certifications	
Certifications/Directives	UL, cUL, CE, ROHS, RCM, UKCA, NOM, KC, BIS
Safety	UL 62368-1, CSA 62368-1, IEC/EN 62368-1 IEC 62471 EN 45545-2
Environmental	IEC 60529 IP66, IP67 rating IEC/EN 62262 impact IK10 EN 50155 Class OT1/ST1 IEC 61373 Category 1 Class B IEC 60721-3-5 Class 5M3
Electromagnetic Emissions	FCC Part 15, SubPart B (Class B) IC ICES-003 (Class B) EN 55032 (Class B) EN 61000-6-3 EN 61000-3-2 EN 61000-3-3
Electromagnetic Immunity	EN 55035 EN 61000-6-1 EN 50121-4 EN 50121-3-2
Warranty	Limited 5 Year Warranty

Analytics Specifications

Supported Analytics Events	
Motion Detection	The event is triggered when an object moves into the region of interest.
Sabotage Motion	The event is triggered when the scene unexpectedly changes.
Adaptive Motion	The event is triggered when an objects has crossed the directional beam that is configured over the camera's field of view. The beam can be unidirectional or bidirectional.
Camera Automation	SD Card Storage, FTP, White Light, Email, Text Overlay, HTTP Generic Event
Analytics Schedules	The event is triggered based on the configured schedule.

Avigilon Software Supported Features	
Avigilon Control Center™ 7.2 or higher	All supported analytic events with people and vehicles and all vehicle sub-types as classified objects. Appearance search when paired with appropriate server hardware. Unusual Activity Detection. H.265 supported.
Avigilon Unity Video 8.0 or higher	All supported analytic events with people and vehicles and all vehicle sub-types as classified objects. Appearance search when paired with appropriate server hardware. Unusual Activity Detection. H.265 supported. Audio analytics. Crowd analytics.

VideoXpert Supported Features	
3.22	Support for video analytic events without vehicle sub-classes.
3.23 or higher	Support for crowd detection, audio analytics and video analytic events with vehicle sub-classes.

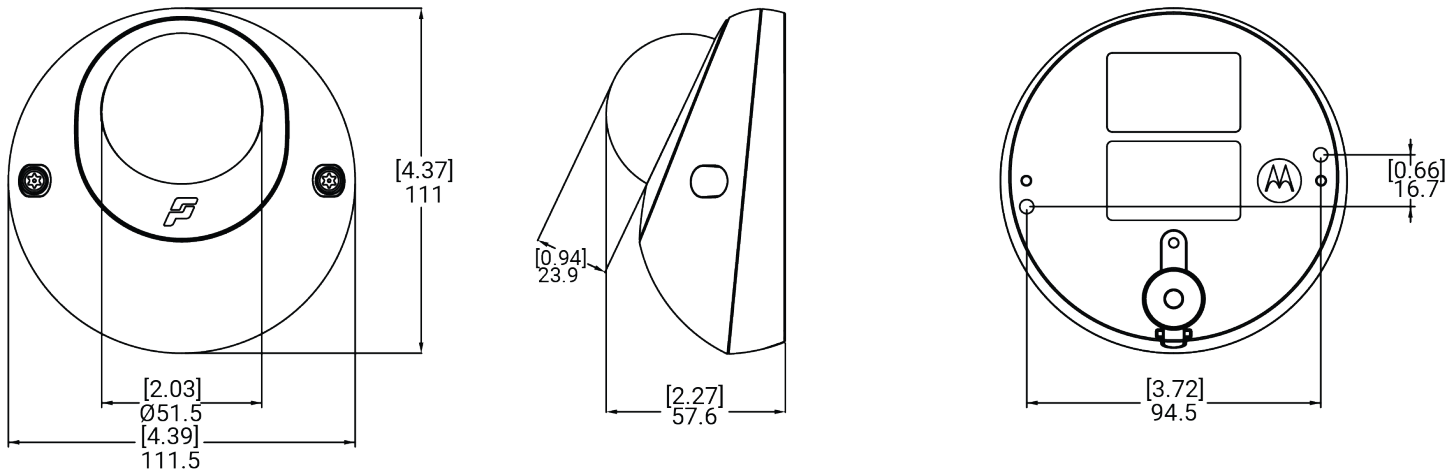
Pelco Connect Supported Features	
Genetec	Support for Pelco Forensic Search and Analytics Configuration with the Genetec plugin.
Milestone	Support for Pelco Forensic Search and Analytics Configuration with the Milestone plugin.

Outline Dimensions

Wedge Camera with Surface Mount

(SRXV2 Wedge Camera + Provided Surface Mount)

[X.X]	INCHES
X	MM



Ordering Information

Wedge Camera

Model Number	Description	Resolution (MP)	Lens	IR	Outdoor	Rolling Stock
SRXV2-2F3-EWD-IR	Sarix Value 2 Wedge	2.0	Fixed 2.8 mm	√	√	√

Accessories

Part Number	Description
SRXV2-LMT-1001	L Mount
SRXV2-WMT-1001	Wall Mount
SRXV2-PDMT-1001	Pendant Mount

Support

Learn more and find additional documentation at pelco.com or email support@pelco.com for specific product support.



Jan 2025 | C5073S | Rev

© 2025, Motorola Solutions, Inc. All rights reserved. MOTOROLA, MOTO, MOTOROLA SOLUTIONS, and the Stylized M Logo are trademarks or registered trademarks of Motorola Trademark Holdings, LLC and are used under license. Pelco, the Pelco logo, and other trademarks associated with Pelco products referred to in this publication are trademarks of Pelco, Inc. or its affiliates. All other product names and services are the property of their respective companies. Product specifications and availability are subject to change without notice.