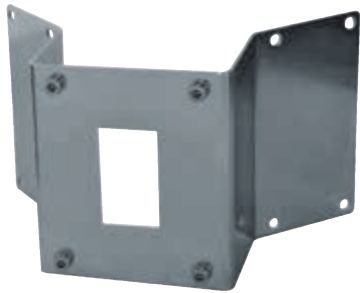


NXCW

CORNER MOUNT ADAPTOR



DESCRIPTION

Corner mount adaptor, constructed from AISI 316L sheet steel. Suitable for NXWBS1, NXWBL and NXWBPTH1 brackets.

TECHNICAL DATA

MECHANICAL

Suitable for NXWBS1, NXWBL, NXWBPTH1

Made of AISI 316L electropolished stainless steel

Load rating: 50kg (110lb)

Dimensions: 180x291mm (7x11.5in)

Unit weight: 1.2kg (2.6lb)

PART NUMBER

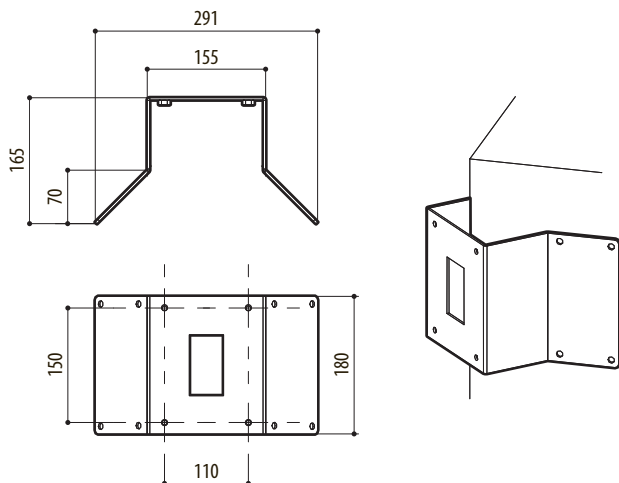
NXCW AISI 316L stainless steel corner adapter module

PACKAGE

Model Number	Weight	Dimensions (WxHxL)	Master carton
NXCW	1.3kg (2.8lb)	24x32x24.5cm (9.4x12.6x9.6in)	5

TECHNICAL DRAWINGS

The indicated measurements are expressed in millimetres.



NXCW