

MPXWBTA

PARAPET OR CEILING MOUNTING BRACKET



DESCRIPTION

AISI 316L stainless steel adaptor module for parapet/ceiling mounting of MAXIMUS.

TECHNICAL DATA

MECHANICAL

Made of AISI 316L electropolished stainless steel
Load rating: 40kg (88lb)
Dimensions: \varnothing 238mm (9.4in)
Unit weight: 2.8kg (6.2lb)

PART NUMBER

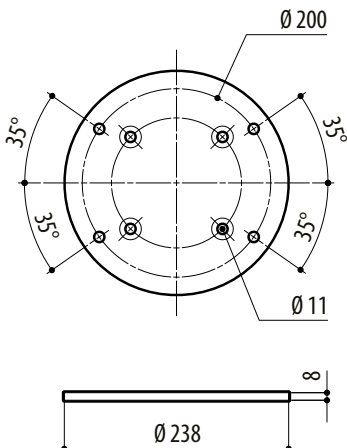
MPXWBTA AISI 316L stainless steel parapet or ceiling mounting bracket

PACKAGE

Model Number	Weight	Dimensions (WxHxL)	Master carton
MPXWBTA	3.2kg (7.1lb)	33x27x6.5cm (13x11x2.4in)	-

TECHNICAL DRAWINGS

The indicated measurements are expressed in millimetres.



MPXWBTA