

MPXCW

CORNER MOUNT ADAPTOR



DESCRIPTION

Thick AISI 316L stainless steel corner adapter module. Suitable for MPXWBA bracket.

TECHNICAL DATA

MECHANICAL

Suitable for MPXWBA

Suitable for MHXWBS

Made of AISI 316L electropolished stainless steel

Load rating: 50kg (110lb)

Dimensions: 335x186mm (13.2x7.3in)

Unit weight: 3.6kg (7.9lb)

PART NUMBER

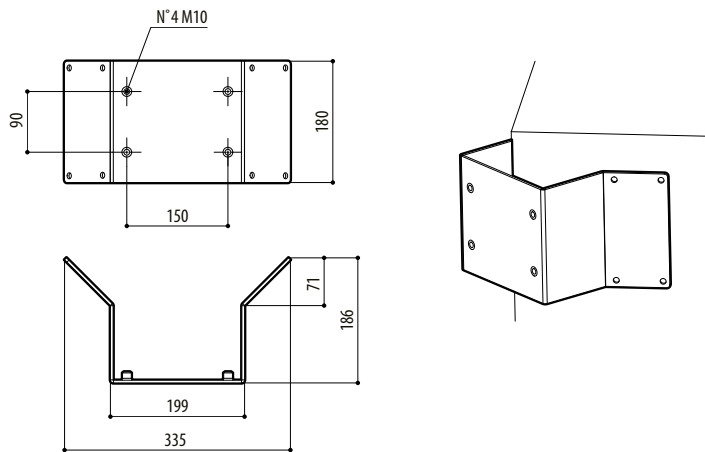
MPXCW AISI 316L stainless steel corner adapter module

PACKAGE

Model Number	Weight	Dimensions (WxHxL)	Master carton
MPXCW	4.8kg (10.6lb)	36.5x25.5x26cm (14.4x10x10.2in)	5

TECHNICAL DRAWINGS

The indicated measurements are expressed in millimetres.



MPXCW