

MPXCOL

POLE MOUNT ADAPTOR



DESCRIPTION

Thick AISI 316L stainless steel pole adaptor module. Suitable for MPXWBA bracket.

TECHNICAL DATA

MECHANICAL

Suitable for MHXWBS

Suitable for MPXWBA

Made of AISI 316L electropolished stainless steel

For pole diameters: 110-150mm (4.3-5.9in)

Load rating: 50kg (110lb)

Unit weight: 4.5kg (9.9lb)

PART NUMBER

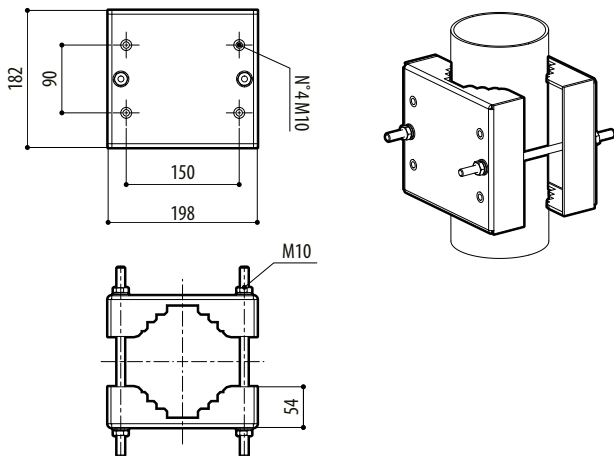
MPXCOL AISI 316L stainless steel pole adapter module

PACKAGE

| Model Number | Weight | Dimensions (WxHxL) | Master carton |
|--------------|----------------|----------------------------|---------------|
| MPXCOL | 4.9kg (10.8lb) | 24x15x21.5cm (9.4x6x8.5in) | 6 |

TECHNICAL DRAWINGS

The indicated measurements are expressed in millimetres.



MPXCOL