

DESCRIPTION

Wall adaptor module in stainless steel AISI 316L. Suitable for brackets NXWBS1, WBOVA2, WBJA, WBMA.

TECHNICAL DATA

MECHANICAL

Suitable for NXWBS1, WBOVA2, WBJA, WBMA brackets

Made of AISI 316L electropolished stainless steel

Load rating: 20kg (44lb) (static load)

Screws tightening torque: 20Nm

Dimensions: 168x234mm (6.6x9.2in)

Unit weight: 2.6kg (5.7lb)

PART NUMBER

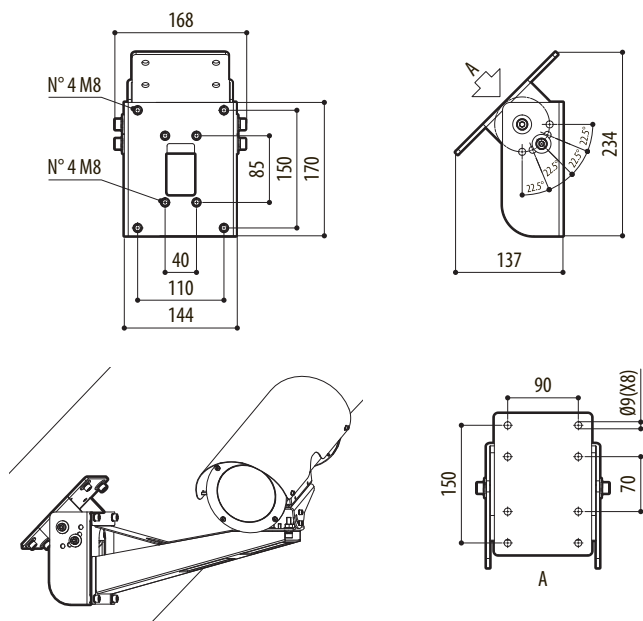
NXWTU AISI 316L stainless steel adapter module for oblique surfaces

PACKAGE

Model Number	Weight	Dimensions (WxHxL)	Master carton
NXWTU	2.8kg (6.2lb)	24x15x21cm (9.4x6x8.2in)	10

TECHNICAL DRAWINGS

The indicated measurements are expressed in millimetres.



NXWTU