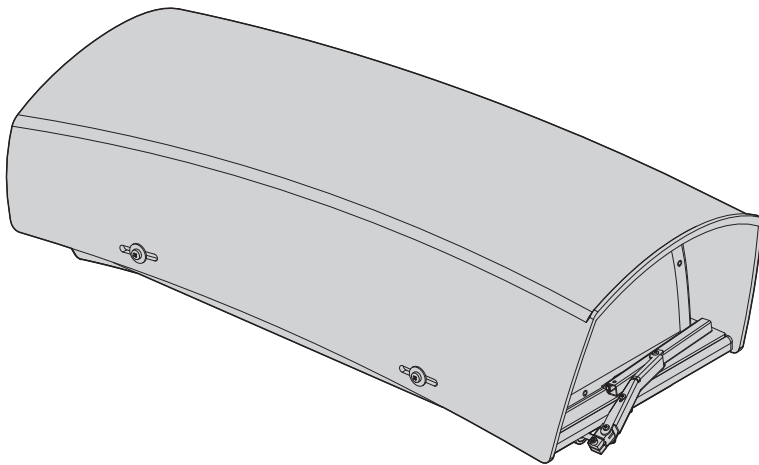




HGV

Extra-large sized housing



EN English - Instructions manual

IT Italiano - Manuale di istruzioni

FR Français - Manuel d'instructions

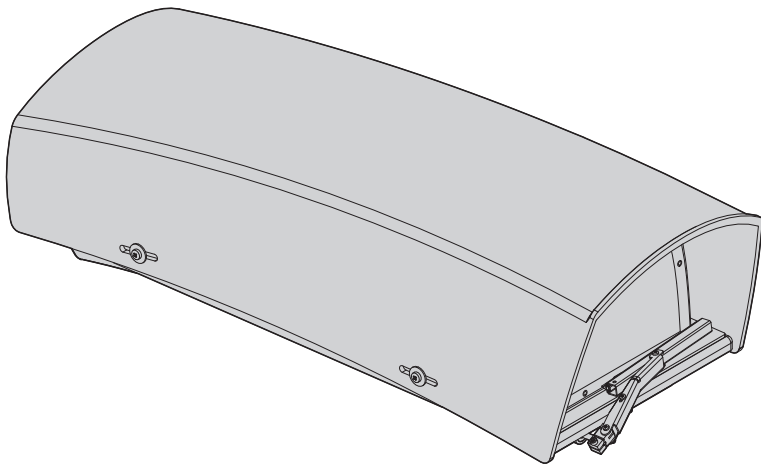
DE Deutsch - Bedienungsanleitung

RU Русский - Руководство по эксплуатации



HGV

Extra large-sized camera housing



Contents

1 About this manual	4
1.1 Typographical conventions	4
2 Notes on copyright and information on trademarks	4
3 Safety rules	4
4 Identification	5
4.1 Product description and type designation.....	5
4.2 Product marking label.....	5
5 Preparing the product for use	6
5.1 Unpacking.....	6
5.2 Contents	6
5.3 Safely disposing of packaging material.....	6
5.4 Preparatory work before installation.....	6
5.4.1 Mounting the bracket.....	6
6 Installation	6
6.1 Sunshield mounting.....	6
6.2 Fixing with wall mount bracket.....	7
6.3 Housing opening	7
6.4 Slide removal.....	7
6.5 Fasten the lens and the camera.....	7
6.5.1 Use the spacer H-20.....	8
6.5.2 Slider positioning.....	9
6.6 Replacement of the cable glands plate with the stainless steel plate supplied.....	9
6.7 Fastening of the wiper blade.....	10
6.7.1 Fastening of the small plate with nozzle	10
6.8 Board description.....	11
6.9 Connecting the power supply	11
6.10 Wiper connection	12
6.11 Connect the housing opening signalling device	12
6.12 Desiccant bag	12
6.13 Housing closure	12
7 Instructions for normal operation	13
8 Cleaning	13
8.1 Cleaning the window and plastic parts	13
9 Information on disposal and recycling	13
10 Technical data	13
10.1 General.....	13
10.2 Mechanical	13
10.3 Electrical.....	13
10.4 Environment	13
10.5 Certifications	13

1 About this manual

Read all the documentation supplied carefully before installing and using this product. Keep the manual in a convenient place for future reference.

1.1 Typographical conventions



DANGER!

High level hazard.

Risk of electric shock. Disconnect the power supply before proceeding with any operation, unless indicated otherwise.



CAUTION!

Medium level hazard.

This operation is very important for the system to function properly. Please read the procedure described very carefully and carry it out as instructed.



INFO

Description of system specifications. We recommend reading this part carefully in order to understand the subsequent stages.

2 Notes on copyright and information on trademarks

The mentioned names of products or companies are trademarks or registered trademarks.

3 Safety rules



CAUTION! Device installation and maintaining must be performed by specialist technical staff only.



CAUTION! The electrical system to which the unit is connected must be equipped with an automatic bipolar circuit breaker. The circuit breaker for main supply voltage phase units must have a level of intervention of 20A max. The circuit breaker for low voltage units must have a level of intervention of 6A max. This circuit breaker must be of the Listed type. The minimum distance between the circuit breaker contacts must be 3mm (0.1in). The circuit breaker must be provided with protection against the fault current towards the ground (differential) and the overcurrent (magnetothermal).

- The manufacturer declines all responsibility for any damage caused by an improper use of the appliances mentioned in this manual. Furthermore, the manufacturer reserves the right to modify its contents without any prior notice. The documentation contained in this manual has been collected and verified with great care. The manufacturer, however, cannot take any liability for its use. The same thing can be said for any person or company involved in the creation and production of this manual.
- Before starting any operation, make sure the power supply is disconnected.
- Be careful not to use cables that seem worn or old.
- Never, under any circumstances, make any changes or connections that are not shown in this handbook. Improper use of the appliance can cause serious hazards, risking the safety of personnel and of the installation.
- Use only original spare parts. Non-original spare parts could cause fire, electrical discharge or other hazards.
- Before proceeding with installation, check the supplied material to make sure it corresponds to the order specification by examining the identification labels (4.2 Product marking label, page 5).

- This device was designed to be permanently secured and connected on a building or on a suitable structure. The device must be permanently secured and connected before any operation.
- Comply with all the national standards during the device installation.
- Installation category (also called Overvoltage Category) specifies the level of mains voltage surges that the equipment will be subjected to. The category depends upon the location of the equipment, and on any surge voltage protection provided. Equipment in an industrial environment, directly connected to major feeders/short branch circuits, is subjected to Installation Category III. If this is the case, a reduction to Installation Category II is required. This can be achieved by use of an insulating transformer with an earthed screen between primary and secondary windings, or by fitting UL listed Surge Protective Devices (SPDs) from live to neutral and from neutral to earth. Listed SPDs shall be designed for repeated limiting of transient voltage surges and the following rated operation conditions: Type 2 (SPDs permanently connected to the power network and intended for installation on the load side of the service equipment); Nominal Discharge Current (In) 20kA min. For example: FERRAZ SHAWMUT, STT2240SPG-CN, STT2BL240SPG-CN rated 120Vac/240Vac, (In=20kA). Maximum distance between installation and reduction is 5m.
- Any device which could be installed inside the product must comply with the current safety rules.
- The product is designed to house only cameras that are properly certified according to IEC/UL 60950-1 or IEC/UL 62368-1 (7W max).

- A power disconnect device must be included in the electrical installation, and it must be very quickly recognizable and operated if needed.

4 Identification

4.1 Product description and type designation

The HGV housing is ideal for outdoor monitoring of great distances for applications in public safety, environmental monitoring and border surveillance or at harbours, along coastlines and at airports.

Robust housing with aluminium base designed to simplify installation and service and guarantee total protection in all environmental conditions.

The big dimensions of this camera housing make it suitable to contain the largest zoom lenses of the market.

For easy access during the installation and the adjustment of the camera, it is possible to remove the upper part of the housing body, which is held by a robust safety cord.

4.2 Product marking label

See the label attached to the product.

5 Preparing the product for use



Any change that is not expressly approved by the manufacturer will invalidate the warranty.

5.1 Unpacking

When the product is delivered, make sure that the package is intact and that there are no signs that it has been dropped or scratched.

If there are obvious signs of damage, contact the supplier immediately.

When returning a faulty product we recommend using the original packaging for shipping.

Keep the packaging in case you need to send the product for repairs.

5.2 Contents

Check the contents to make sure they correspond with the list of materials as below:

- Housing
- Housing equipment:
 - Allen wrench
 - Plate with nozzle for wiper
 - Plate in stainless steel without holes for cable glands/connectors
 - Spacers
 - Bolts and screws
 - Brackets for lenses and cameras mounting
- Wiper blade
- Instruction manual
- Desiccant bag

5.3 Safely disposing of packaging material

The packaging material can all be recycled. The installer technician will be responsible for separating the material for disposal, and in any case for compliance with the legislation in force where the device is to be used.

5.4 Preparatory work before installation

5.4.1 Mounting the bracket



The product must be fastened with suitable equipment. The fastening means must guarantee mechanical sealing when a force equal to at least 4 times the weight of the device is applied.

6 Installation

6.1 Sunshield mounting

Fix the sunshield to the housing using screws and washers provided.

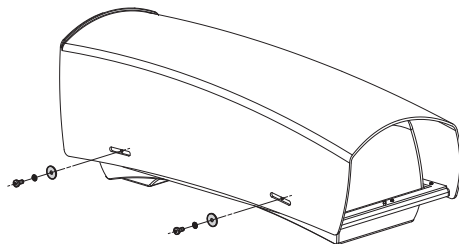


Fig. 1

6.2 Fixing with wall mount bracket

Fasten the housing to the bracket using the screws provided.

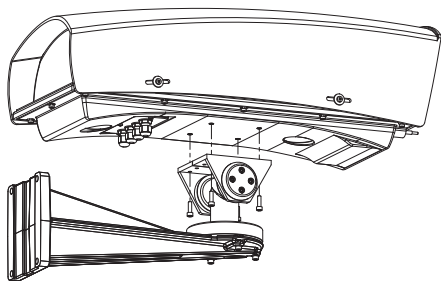


Fig. 2

6.3 Housing opening

Loosen the leak-proof screws placed on the sides and lift the upper part of the housing.

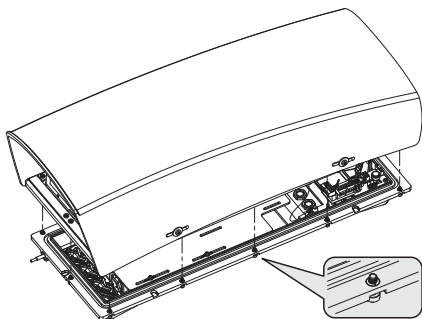


Fig. 3

Lift the upper body with the integrated sunshield and leave it hanging on the anchorage cable.

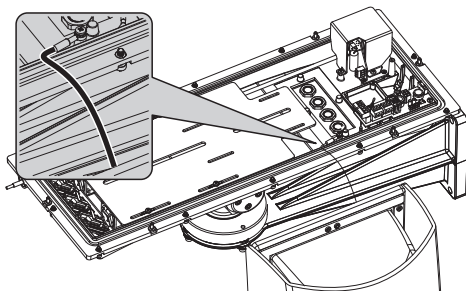


Fig. 4

6.4 Slide removal

To remove the slide it is necessary to unscrew the fixing screws as shown in figure.

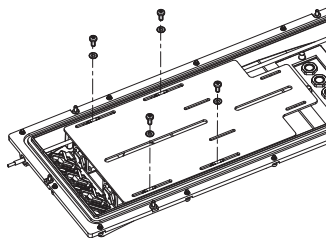


Fig. 5

6.5 Fasten the lens and the camera

Fasten the camera (02) to the lens (01).

Fasten the L shaped bracket (03) to the camera using the nylon washer and the 1/4" screw (04).

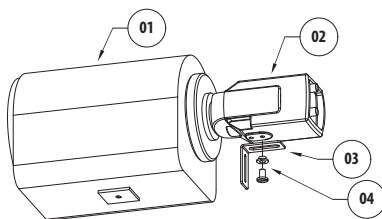


Fig. 6

Position the lens on the slide (02) interposing the plastic spacer (01). Fasten everything with the nylon washer and the 1/4" screw (03).

If necessary, use the additional spacers to correctly position the camera and lens.

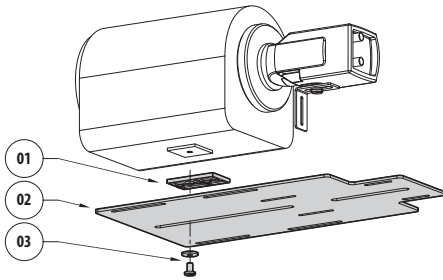


Fig. 7

Fasten the aluminium plate (01) on the slide by means of the screws and relative washers (02).

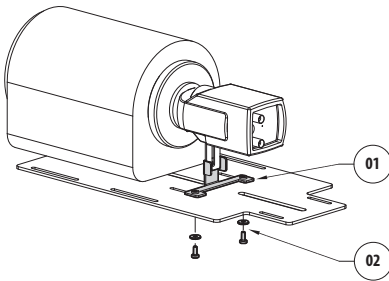


Fig. 8

Fasten the L shaped bracket with the screw (01).

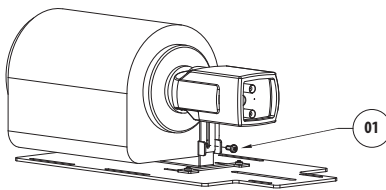


Fig. 9

6.5.1 Use the spacer H-20

You can fasten a spacer H-20 (02). Fasten the camera and the L shaped bracket (6.5 Fasten the lens and the camera, page 7). Interpose a plastic spacer (01) of the required thickness and fix it by means of washer and screw (03).

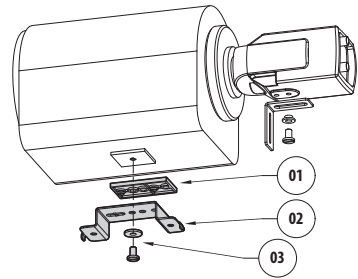


Fig. 10

Position the lens with the spacer (01) on the slide (02) and fasten using the washers and the screws (03) supplied.

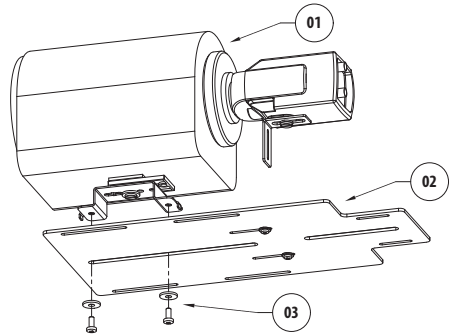


Fig. 11

Finish the installation as shown in the images (Fig. 8, page 8 e Fig. 9, page 8).

6.5.2 Slider positioning

Shift the inner slide with lens and camera already fastened into the wanted position and secure it by means of the washers and screws provided.

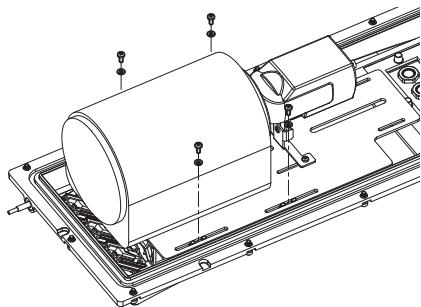


Fig. 12

6.6 Replacement of the cable glands plate with the stainless steel plate supplied

Perforate according to the plate supplied.

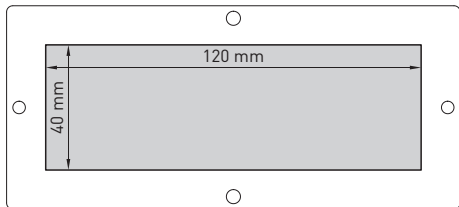


Fig. 13 Useful perforation area.

Replace the standard plate by unscrewing the fastening screws.

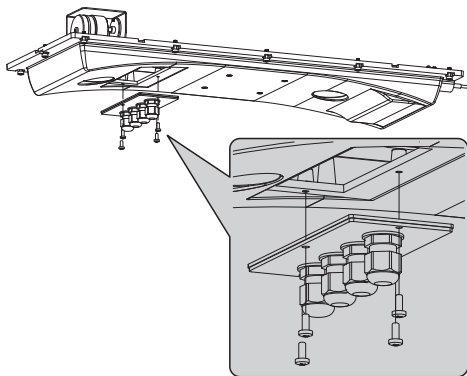


Fig. 14

Place the gasket between the new plate and the housing.

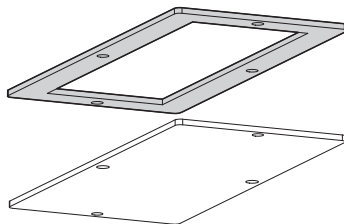


Fig. 15

Block the new plate using the fastening screws (Fig. 14, page 9).

6.7 Fastening of the wiper blade

Insert the blade on the wiper shaft.

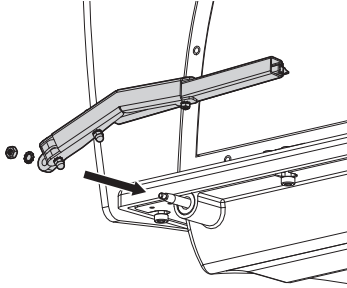


Fig. 16

Bring the brush to the stand-by position.

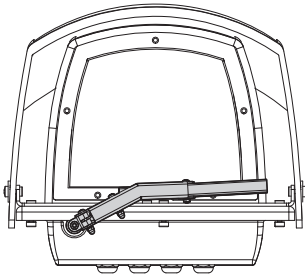


Fig. 17



Correct adjustment must enable the brush to return to the stand-by position by stopping against the lower body of the housing.

Fasten using the washer and nut.

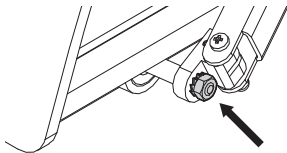


Fig. 18

6.7.1 Fastening of the small plate with nozzle

Fasten the plate (01) with the nozzle already assembled on the lower body using the two screws (02) supplied.

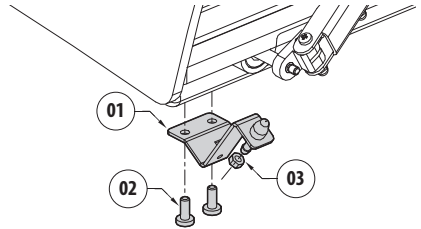


Fig. 19



To calibrate the jet, orientate the nozzle towards the window of the housing.

Tighten the nut (03) to fasten the nozzle in position.

6.8 Board description

i The board may appear different to that illustrated.

i Depending on the product version, the board may not be equipped with all functions.

BOARD DESCRIPTION		
Con- nector	Function	Notes
J6	Camera power supply (V_{out})	
J7	Power supply for the board (V_N)	Depending on the power supply model the two connectors have different use. If powered in 12vdc connector A corresponds to polarity +, while connector B corresponds to polarity - . If powered in 24vac connectors A and B are equivalent and correspond to the voltage V_{ac} .
J8	Power supply/jumper connector	
J9	Tamper-proof switch contacts (SW1)	Jumper present only in ventilated models
J10	Auxiliary output (V_{out})	Same voltage applied on J7
SW1	Tamper-proof switch	Only some models

Tab. 1

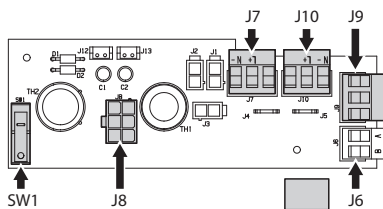


Fig. 20

i Nominal section of the cables used: from 0.2mm² (24AWG) up to 2.5mm² (13AWG).

6.9 Connecting the power supply

! CAUTION! The type of cable used must be compatible with the planned use. Comply with the national regulations in force on electrical installation.

! Connect the safety earth to the relative terminal of the power supply connector.

! Earth cable should be about 10mm longer than the other two, so that it will not be disconnected accidentally if pulled.

Insert the cables inside the housing using the cable glands. The cable glands are suitable for conductors with diameters of between 5mm and 10mm. The section of the cable inside the housing must be sufficiently long to allow connection. Suitably lock the cable glands.

Connect the conductors to the terminal (board power supply, 6.8 Board description, page 11).

6.10 Wiper connection

Open the housing as described in the relative chapter (6.3 Housing opening, page 7).

Identify the terminal of the wiper board.

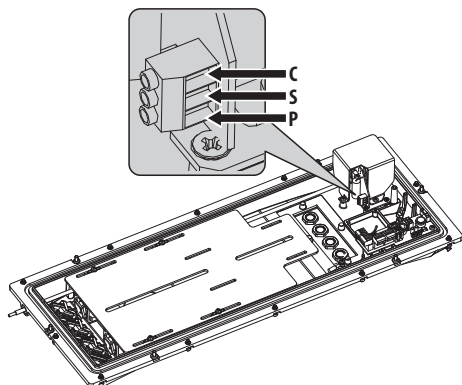


Fig. 21

Connect the wiper board to the power supply mains as shown in the figure.

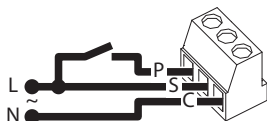


Fig. 22

Pressing the button activates the wiper. When the button is released the wiper blade will return to the rest position.

If you have a receiver with the Wiper control function, connect the SW, PER and COM terminals respectively to terminals S, P and C of the board.

i **Nominal section of the cables used: from 0.2mm² (24AWG) up to 2.5mm² (13AWG).**

6.11 Connect the housing opening signalling device

⚠ **Switch working voltage: 30Vac max or 60Vdc max.**

Identify on the board the terminal of the tamper-proof switch (tamper-proof switch contacts, Fig. 20, page 11).

Carry out the connections as described in the table.

TAMPER-PROOF SWITCH CONNECTION	
Contact	Description
COM	Switch common contact
NC	Normally closed contact
NO	Normally open contact

Tab. 2

6.12 Desiccant bag

Take the desiccant salt bag out of its pack and insert it into the product.

6.13 Housing closure

⚠ **Pay attention to the fixing. Tightening torque: 1.6Nm**

Close the housing following the opposite procedure (6.3 Housing opening, page 7).

7 Instructions for normal operation



Do not use the wiper if the ambient temperature is under 0°C or if there is ice.

8 Cleaning

8.1 Cleaning the window and plastic parts



Avoid ethyl alcohol, solvents, hydrogenated hydrocarbide, strong acid and alkali. Such products may irreparably damage the surface.

We recommend using a soft cloth with neutral soap diluted with water or specific products to clean the lenses.

9 Information on disposal and recycling

The European Directive 2012/19/EU on Waste Electrical and Electronic Equipment (WEEE) mandates that these devices should not be disposed of in the normal flow of municipal solid waste, but they should be collected separately in order to optimize the recovery stream and recycling of the materials that they contain and to reduce the impact on human health and the environment due to the presence of potentially hazardous substances.



The symbol of the crossed out bin is marked on all products to remember this.

The waste may be delivered to appropriate collection centers, or may be delivered free of charge to the distributor where you purchased the equipment at the time of purchase of a new equivalent or without obligation to a new purchase for equipment with size smaller than 25cm (9.8in).

For more information on proper disposal of these devices, you can contact the responsible public service.

10 Technical data

10.1 General

Base in aluminium, epoxy polyester powder painting, RAL9002 colour

Upper body and sunshield in ABS

Stainless steel external screws

10.2 Mechanical

Internal usable dimensions: See drawing

Cable glands: 4xM16 (on plate)

Stainless steel plate without customised holes

Extra clear glass window

- Dimensions (WxH): See drawing

Unit weight: 9.2kg (20.3lb)

10.3 Electrical

Supply voltage/Current consumption (version with triple heater, continuous cycle fans, Ton 15°C±3°C (59°F±5°F), Toff 22°C±3°C (72°F±5°F)):

- 24Vac, 3.35A max, 50/60Hz
- 230Vac, 0.66A max, 50/60Hz

Supply voltage/Current consumption (integrated wiper):

- 24Vac, 0.3A max, 50/60Hz
- 230Vac, 32mA max, 50/60Hz

Camera power supply

- IN from 100Vac up to 240Vac, 50/60Hz - OUT 12Vdc, 1.25A (already installed in the 230Vac version)

10.4 Environment

For indoors and outdoors installation

Operating temperature with heating: from -20°C (-4°F) up to +60°C (140°F)

10.5 Certifications

Electrical safety (CE): EN60950-1, EN62368-1

Electromagnetic compatibility (CE): EN50130-4, EN61000-6-3

IP protection degree (EN60529): IP66

EAC certification

11 Technical drawings



The indicated measurements are expressed in millimetres.

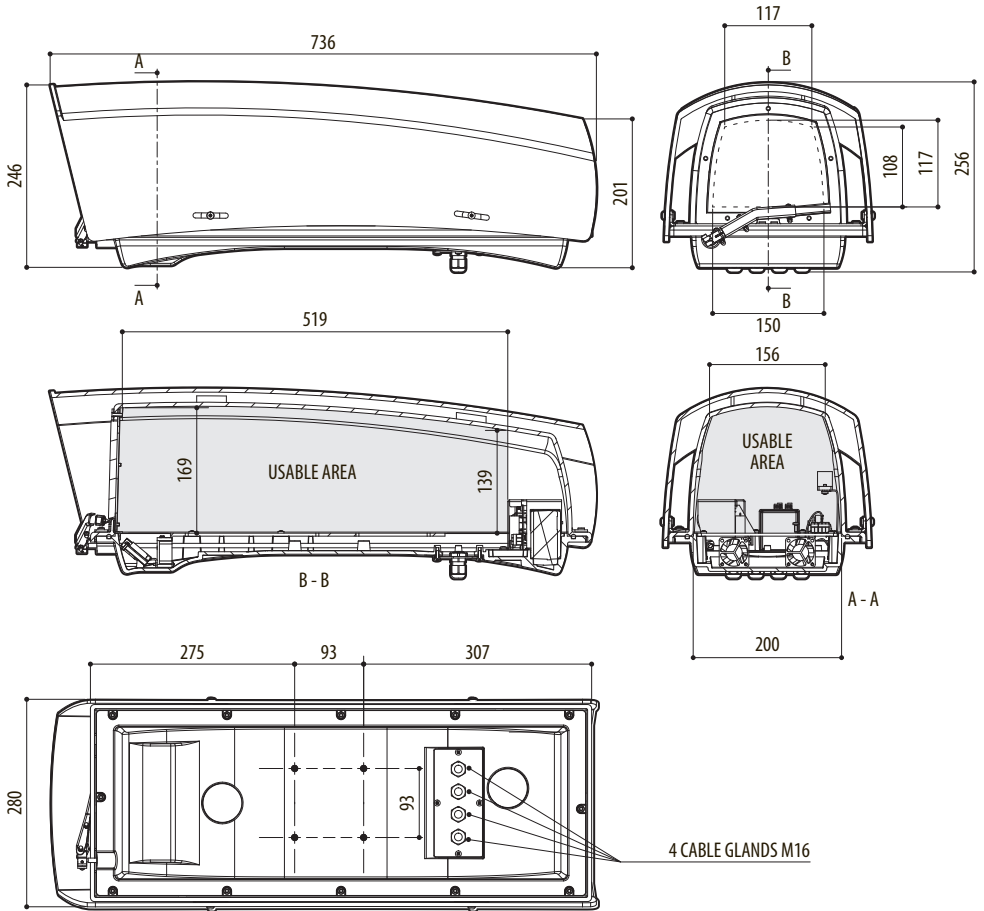


Fig. 23 HG.V.

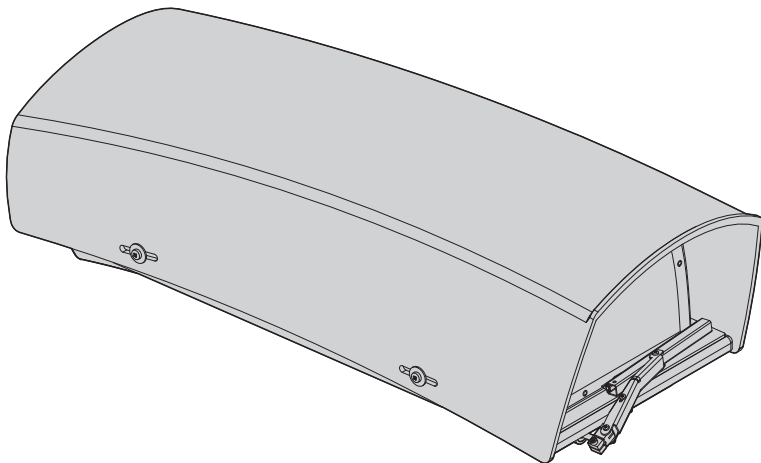


Headquarters Italy VIDEOTEC s.r.l.
Via Friuli, 6 - I-36015 Schio (VI) - Italy
Tel. +39 0445 697411 - Fax +39 0445 697414
Email: info@videotec.com
www.videotec.com

MNVCHGV_2222_EN

HGV

Custodia per telecamera di dimensioni extra large



Sommario

1 Informazioni sul presente manuale.....	4
1.1 Convenzioni tipografiche	4
2 Note sul copyright e informazioni sui marchi commerciali	4
3 Norme di sicurezza	4
4 Identificazione.....	5
4.1 Descrizione e designazione del prodotto.....	5
4.2 Etichetta di marcatura del prodotto.....	5
5 Preparazione del prodotto per l'utilizzo.....	6
5.1 Disimballaggio	6
5.2 Contenuto.....	6
5.3 Smaltimento in sicurezza dei materiali di imballaggio.....	6
5.4 Lavoro preparatorio prima dell'installazione	6
5.4.1 Fissaggio del supporto.....	6
6 Installazione	6
6.1 Fissaggio del tettuccio	6
6.2 Fissaggio con supporto da parete.....	7
6.3 Apertura della custodia	7
6.4 Rimozione della slitta	7
6.5 Fissaggio dell'ottica e della telecamera	7
6.5.1 Utilizzo del distanziale H-20.....	8
6.5.2 Posizionamento della slitta.....	9
6.6 Sostituzione della piastra pressacavi con piastra inox in dotazione	9
6.7 Fissaggio della spazzola del tergicristallo.....	10
6.7.1 Fissaggio della piastrina con ugello	10
6.8 Descrizione della scheda.....	11
6.9 Collegamento della linea di alimentazione.....	11
6.10 Collegamento del tergicristallo	12
6.11 Collegamento del dispositivo di segnalazione apertura custodia	12
6.12 Sacchetto disidratante	12
6.13 Chiusura della custodia.....	12
7 Istruzioni di funzionamento ordinario.....	13
8 Pulizia	13
8.1 Pulizia della finestra e delle parti in plastica	13
9 Informazioni sullo smaltimento e il riciclo	13
10 Dati tecnici	13
10.1 Generale	13
10.2 Meccanica.....	13
10.3 Elettrico	13
10.4 Ambiente	13
10.5 Certificazioni.....	13

1 Informazioni sul presente manuale

Prima di installare e utilizzare questo prodotto leggere attentamente tutta la documentazione fornita. Tenere il manuale a portata di mano per consultazioni successive.

1.1 Convenzioni tipografiche



PERICOLO!

Pericolosità elevata.
Rischio di scosse elettriche. Prima di eseguire qualsiasi operazione assicurarsi di togliere tensione al prodotto, salvo diversa indicazione.



ATTENZIONE!

Pericolosità media.
L'operazione è molto importante per il corretto funzionamento del sistema. Si prega di leggere attentamente la procedura indicata e di eseguirla secondo le modalità previste.



INFO

Descrizione delle caratteristiche del sistema.
Si consiglia di leggere attentamente per comprendere le fasi successive.

2 Note sul copyright e informazioni sui marchi commerciali

I nomi di prodotto o di aziende citati sono marchi commerciali o marchi commerciali registrati appartenenti alle rispettive società.

3 Norme di sicurezza



ATTENZIONE! L'installazione e la manutenzione del dispositivo devono essere eseguite solo da personale tecnico specializzato.



ATTENZIONE! L'impianto elettrico al quale è collegata l'unità deve essere dotato di un interruttore di protezione bipolare automatico. L'interruttore per le unità a tensione di rete deve avere un livello di intervento di 20A max. L'interruttore per le unità a bassa tensione deve avere un livello di intervento di 6A max. Tale interruttore deve essere di tipo Listed. La distanza minima tra i contatti dell'interruttore di protezione deve essere di 3mm. L'interruttore deve essere provvisto di protezione contro la corrente di guasto verso terra (differenziale) e la sovracorrente (magnetotermico).

- Il produttore declina ogni responsabilità per eventuali danni derivanti da un uso improprio delle apparecchiature menzionate in questo manuale. Si riserva inoltre il diritto di modificarne il contenuto senza preavviso. Ogni cura è stata posta nella raccolta e nella verifica della documentazione contenuta in questo manuale. Il produttore, tuttavia, non può assumersi alcuna responsabilità derivante dall'utilizzo della stessa. Lo stesso dicasi per ogni persona o società coinvolta nella creazione e nella produzione di questo manuale.
- Prima di eseguire qualsiasi operazione assicurarsi di togliere tensione al prodotto.
- Non utilizzare cavi con segni di usura o invecchiamento.
- Non effettuare per nessun motivo alterazioni o collegamenti non previsti in questo manuale. L'uso di apparecchi non idonei può portare a gravi pericoli per la sicurezza del personale e dell'impianto.
- Utilizzare solo parti di ricambio originali. Pezzi di ricambio non originali potrebbero causare incendi, scariche elettriche o altri pericoli.
- Prima di procedere con l'installazione, controllare che il materiale fornito corrisponda alle specifiche richieste esaminando le etichette di marcatura (4.2 Etichetta di marcatura del prodotto, pagina 5).

- Questo dispositivo è stato progettato per essere fissato e collegato in maniera permanente su un edificio o su una struttura adeguata. Il dispositivo deve essere fissato e collegato in maniera permanente prima di effettuare qualsiasi operazione.
- Si devono rispettare le normative nazionali per l'installazione del dispositivo.
- La categoria di installazione (detta anche categoria di sovratensione) specifica i livelli della tensione transitoria di rete alla quale l'apparato è soggetto. La categoria dipende dal luogo di installazione e dalla presenza di dispositivi di protezione contro le sovratensioni. Un dispositivo per ambienti industriali, connesso ai rami principali dell'impianto di alimentazione è soggetto alla categoria di installazione III. Se questo è il caso, è richiesta una riduzione alla categoria II. Ciò può essere ottenuto utilizzando un trasformatore di isolamento con schermatura connessa a terra tra il primario ed il secondario, o tramite l'impiego di dispositivi di protezione contro le sovratensioni (SPD), UL listed, connessi tra la fase ed il neutro e tra il neutro e terra. I dispositivi SPD UL listed, dovranno essere predisposti per limitare sovratensioni transitorie in modo ripetitivo e per le seguenti condizioni nominali di funzionamento: Tipo 2 (Dispositivi SPD connessi permanentemente alla rete di alimentazione, per installazioni dal lato del carico del dispositivo di servizio); Corrente nominale di scarica (In) 20kA minimi. Si possono utilizzare ad esempio: FERRAZ SHAWMUT, ST23401PG-CN, ST240SPG-CN specificati per 120Vac/240Vac, (In=20kA). La distanza massima tra l'installazione e la riduzione è di 5m.
- Ogni dispositivo che può essere installato all'interno del prodotto deve essere conforme alle norme di sicurezza attuali.
- Il prodotto è progettato per alloggiare solo telecamere opportunamente certificate secondo IEC/UL 60950-1 o IEC/UL 62368-1 (7W max).
- L'impianto elettrico deve essere dotato di un sezionatore di rete prontamente riconoscibile e utilizzabile in caso di necessità.

4 Identificazione

4.1 Descrizione e designazione del prodotto

La custodia HGV è l'ideale per monitoraggio in esterno delle grandi distanze in applicazioni per la sicurezza pubblica, dei porti, delle coste, degli aeroporti, il monitoraggio dell'ambiente e la sorveglianza dei confini.

Robusta custodia con base in alluminio progettata per semplificare l'installazione ed il servizio e garantire una protezione totale a tutte le condizioni ambientali.

Le dimensioni di questa custodia la rendono compatibile con gli zoom motorizzati più ingombranti del mercato.

Per un semplice accesso durante l'installazione e la regolazione della telecamera, è possibile rimuovere la parte superiore del corpo custodia, che rimane ancorata ad un robusto cavo di sicurezza.

4.2 Etichetta di marcatura del prodotto

Vedere l'etichetta posta sul prodotto.

5 Preparazione del prodotto per l'utilizzo



Qualsiasi intervento non espressamente approvato dal costruttore fa decadere la garanzia.

5.1 Disimballaggio

Alla consegna del prodotto verificare che l'imballo sia integro e non presenti segni evidenti di cadute o abrasioni.

In caso di danni evidenti all'imballo contattare immediatamente il fornitore.

In caso di restituzione del prodotto malfunzionante è consigliato l'utilizzo dell'imballo originale per il trasporto.

Conservare l'imballo qualora fosse necessario inviare il prodotto in riparazione.

5.2 Contenuto

Controllare che il contenuto sia corrispondente alla lista del materiale sotto elencato:

- Custodia
- Dotazione per custodia:
 - Chiave esagonale
 - Piastra con ugello per tergcristallo
 - Piastra in acciaio inox senza fori per pressacavi/ connettori
 - Distanziali
 - Viteria
 - Supporti per fissaggio delle ottiche e delle telecamere
- Spazzola per tergcristallo
- Manuale di istruzioni
- Sacchetto disidratante

5.3 Smaltimento in sicurezza dei materiali di imballaggio

I materiali d'imballo sono costituiti interamente da materiale riciclabile. Sarà cura del tecnico installatore smaltirli secondo le modalità di raccolta differenziata o comunque secondo le norme vigenti nel Paese di utilizzo.

5.4 Lavoro preparatorio prima dell'installazione

5.4.1 Fissaggio del supporto



Il prodotto deve essere fissato con mezzi adeguati. I mezzi di fissaggio devono garantire la tenuta meccanica applicando una forza pari almeno a 4 volte il peso complessivo dell'apparecchiatura.

6 Installazione

6.1 Fissaggio del tettuccio

Fissare il tettuccio alla custodia utilizzando viti e rondelle fornite in dotazione.

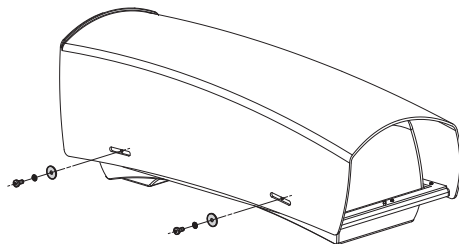


Fig. 1

6.2 Fissaggio con supporto da parete

Fissare la custodia alla staffa utilizzando le viti fornite in dotazione.

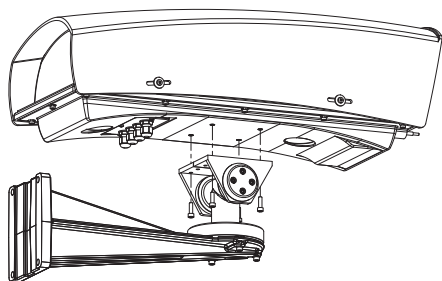


Fig. 2

6.3 Apertura della custodia

Svitare le viti antiperdita poste sui fianchi e sollevare la parte superiore della custodia.

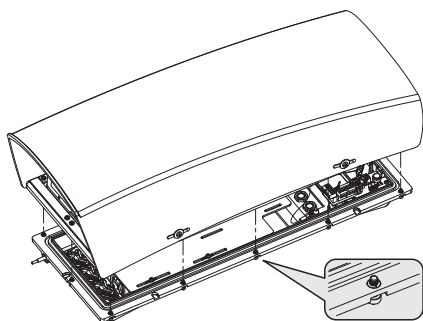


Fig. 3

Sollevare il corpo superiore con tettuccio integrato e lasciarlo appeso al cavo di ancoraggio.

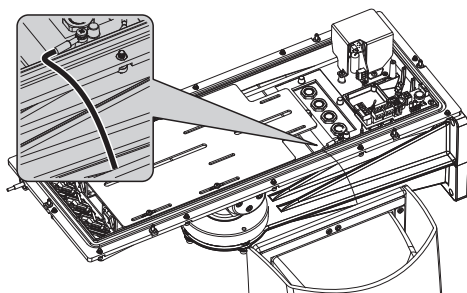


Fig. 4

6.4 Rimozione della slitta

Per rimuovere la slitta è necessario svitare le viti di fissaggio come illustrato in figura.

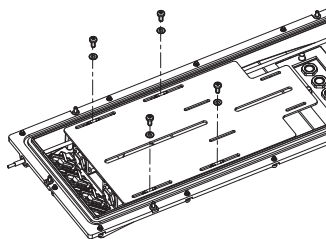


Fig. 5

6.5 Fissaggio dell'ottica e della telecamera

Fissare la telecamera (02) all'ottica (01).

Fissare la staffetta a L in alluminio (03) alla telecamera tramite la rondella in nylon e la vite da 1/4" (04).

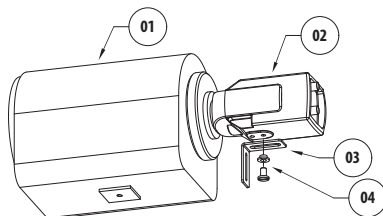


Fig. 6

Posizionare l'ottica sulla slitta (02) interponendo il distanziale in plastica (01). Fissare il tutto con la rondella in nylon e la vite da 1/4" (03).

Se necessario utilizzare i distanziali supplementari per posizionare in modo corretto telecamera e ottica.

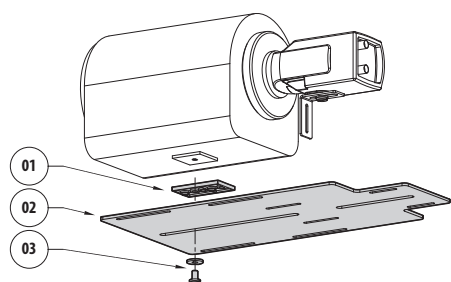


Fig. 7

Fissare la piastra in alluminio (01) sulla slitta tramite le viti e le relative rondelle (02).

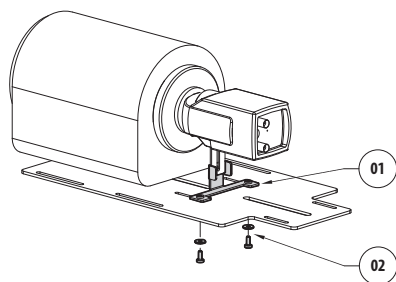


Fig. 8

Fissare la staffetta ad L con la vite (01).

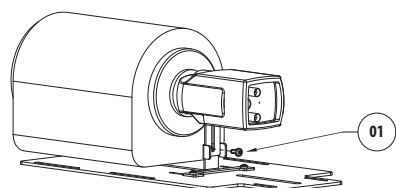


Fig. 9

6.5.1 Utilizzo del distanziale H-20

È possibile fissare un distanziale H-20 (02). Fissare la telecamera e la staffetta a L (6.5 Fissaggio dell'ottica e della telecamera, pagina 7). Interporre un distanziale di plastica (01) dello spessore desiderato e fissarlo con la rondella e la vite (03).

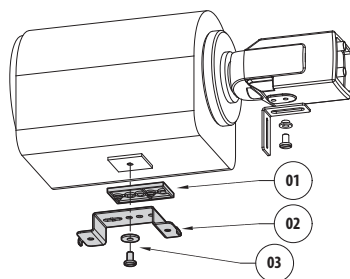


Fig. 10

Posizionare l'ottica con il distanziale (01) sulla slitta (02) e fissare tramite le rondelle e le viti (03) fornite in dotazione.

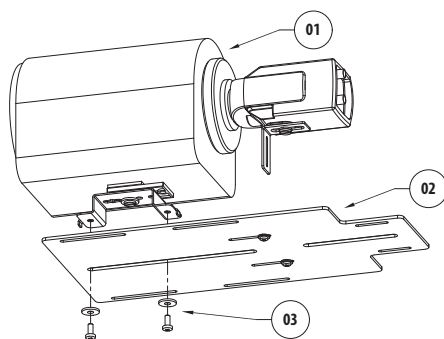


Fig. 11

Concludere il fissaggio come illustrato nelle figure (Fig. 8, pagina 8 e Fig. 9, pagina 8).

6.5.2 Posizionamento della slitta

Far scorrere la slitta interna con ottica e telecamera già fissate nella posizione desiderata e fissarla tramite le viti e le rondelle in dotazione.

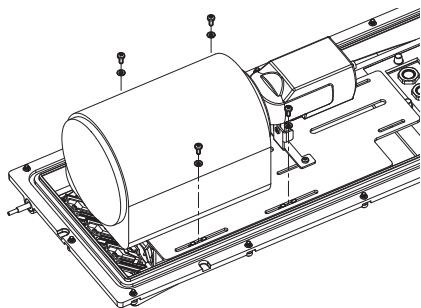


Fig. 12

6.6 Sostituzione della piastra pressacavi con piastra inox in dotazione

Forare secondo necessità la piastra in dotazione.

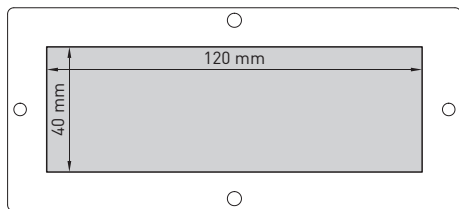


Fig. 13 Area utile foratura.

Sostituire la piastra standard svitando le viti di fissaggio.

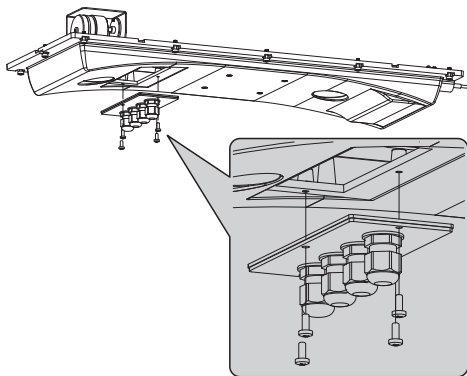


Fig. 14

Interporre la guarnizione tra la nuova piastra e la custodia.

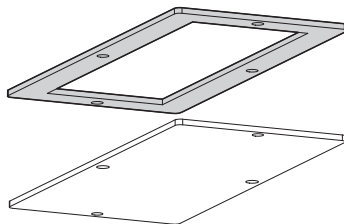


Fig. 15

Bloccare la nuova piastra utilizzando le viti di fissaggio (Fig. 14, pagina 9).

6.7 Fissaggio della spazzola del tergicristallo

Inserire la spazzola sull'albero del tergicristallo.

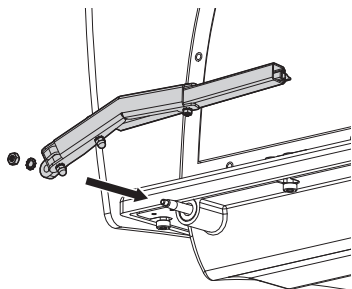


Fig. 16

Portare la spazzola nella posizione di riposo.

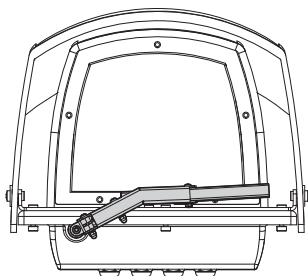


Fig. 17



La regolazione corretta deve permettere alla spazzola di ritornare nella posizione di riposo andando in battuta sul corpo inferiore della custodia.

Fissare tramite rondella e dado.

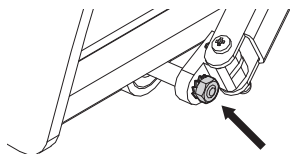


Fig. 18

6.7.1 Fissaggio della piastrina con ugello

Fissare la piastra (01) con l'ugello già assemblato al corpo inferiore tramite le due viti (02) fornite in dotazione.

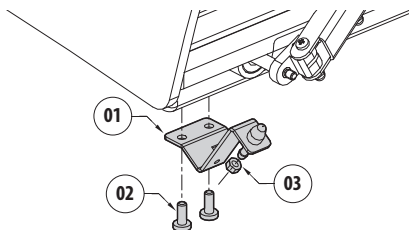


Fig. 19



Per calibrare il getto orientare l'ugello verso la finestra della custodia.

Serrare il dado (03) per bloccare l'ugello in posizione.

6.8 Descrizione della scheda

i L'aspetto della scheda potrebbe differire da quello illustrato.

i La scheda, a seconda della versione del prodotto, potrebbe non essere dotata di tutte le funzionalità.

DESCRIZIONE DELLA SCHEDA		
Connettore	Funzione	Note
J6	Alimentazione della telecamera (V _{OUT})	
J7	Alimentazione della scheda (V _{IN})	In base al modello di alimentazione i due connettori hanno uso differente. Se alimentata in 12Vdc il connettore A corrisponde alla polarità +, mentre il connettore B corrisponde alla polarità - . Se alimentata in 24Vac i connettori A e B sono equivalenti e corrispondono alla tensione Vac.
J8	Connettore per alimentatore/ponticello	
J9	Contatti interruttore antiapertura (SW1)	Ponticello presente solo nei modelli ventilati
J10	Uscita ausiliaria (V _{OUT})	Stessa tensione applicata su J7
SW1	Interruttore antiapertura	Solo alcuni modelli

Tab. 1

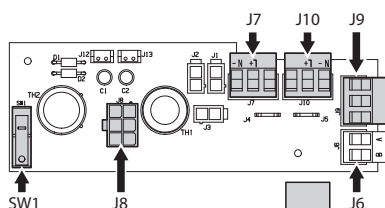


Fig. 20

i Sezione nominale dei cavi utilizzabili: da 0.2mm² (24AWG) fino a 2.5mm² (13AWG).

6.9 Collegamento della linea di alimentazione

! **ATTENZIONE!** La tipologia di cavo utilizzata deve essere compatibile con l'impiego previsto. Attenersi alle regole nazionali in vigore riguardanti le installazioni elettriche.

! Collegare la terra di sicurezza al relativo morsetto del connettore di alimentazione.

! Il cavo di terra deve essere più lungo degli altri due di circa 10mm per prevenirne il distacco accidentale a causa dello stiramento.

Introdurre i cavi all'interno della custodia attraverso i pressacavi. I pressacavi sono adatti per conduttori con diametro compreso tra 5mm e 10mm. Il tratto di cavo all'interno della custodia deve essere sufficientemente lungo da permettere il collegamento. Serrare opportunamente i pressacavi. Collegare i conduttori al morsetto (alimentazione della scheda, 6.8 Descrizione della scheda, pagina 11).

6.10 Collegamento del tergicristallo

Aprire la custodia come descritto nel relativo capitolo (6.3 Apertura della custodia, pagina 7).
Individuare il morsetto della scheda tergicristallo.

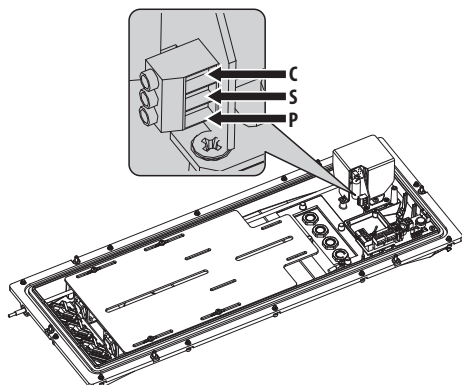


Fig. 21

Collegare la scheda del tergicristallo alla rete di alimentazione come illustrato in figura.

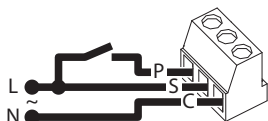


Fig. 22

Premendo il pulsante si attiva il tergicristallo.
Rilasciando il pulsante la spazzola del tergicristallo si porta in posizione di riposo.

Nel caso si disponga di un ricevitore con funzione di comando Wiper, collegare i morsetti SW, PER e COM rispettivamente ai terminali S, P e C della scheda.

i Sezione nominale dei cavi utilizzabili: da 0.2mm² (24AWG) fino a 2.5mm² (13AWG).

6.11 Collegamento del dispositivo di segnalazione apertura custodia

⚠ Tensione di lavoro interruttore: 30Vac max oppure 60Vdc max.

Identificare sulla scheda il morsetto dell'interruttore antiapertura (contatti interruttore antiapertura, Fig. 20, pagina 11).

Effettuare i collegamenti secondo quanto descritto nella tabella.

COLLEGAMENTO INTERRUOTORE ANTIAPERTURA	
Contatto	Descrizione
COM	Contatto comune interruttore
NC	Contatto normalmente chiuso
NO	Contatto normalmente aperto

Tab. 2

6.12 Sacchetto disidratante

Estrarre il sacchetto disidratante dalla confezione e inserirlo nel prodotto.

6.13 Chiusura della custodia

⚠ Prestare attenzione durante il fissaggio. Coppia di serraggio: 1.6Nm

Chiudere la custodia seguendo il procedimento inverso (6.3 Apertura della custodia, pagina 7).

7 Istruzioni di funzionamento ordinario



Non utilizzare il tergicristallo se la temperatura ambiente è inferiore a 0°C o in presenza di ghiaccio.

8 Pulizia

8.1 Pulizia della finestra e delle parti in plastica



Evitare alcool etilico, solventi, idrocarburi idrogenati, acidi forti e alcali. L'utilizzo di detti prodotti danneggia in modo irreparabile la superficie trattata.

Si consiglia di utilizzare un panno morbido con sapone neutro diluito con acqua o prodotti specifici per la pulizia delle lenti degli occhiali.

9 Informazioni sullo smaltimento e il riciclo

La Direttiva Europea 2012/19/UE sui Rifiuti di Apparecchiature Elettriche ed Elettroniche (RAEE) prevede che questi apparecchi non debbano essere smaltiti nel normale flusso dei rifiuti solidi urbani, ma che vengano raccolti separatamente per ottimizzare il flusso di recupero e riciclaggio dei materiali che li compongono ed impedire potenziali danni per la salute e per l'ambiente dovuti alla presenza di sostanze potenzialmente pericolose.



Il simbolo del bidone barrato è riportato su tutti i prodotti per ricordarlo.

I rifiuti possono essere conferiti agli appositi centri di raccolta, oppure possono essere consegnati gratuitamente al distributore dove è stata acquistata l'apparecchiatura all'atto di acquisto di una nuova equivalente o senza obbligo di un acquisto nuovo per le apparecchiature di dimensioni minori di 25cm.

Per ulteriori informazioni sulla corretta dismissione di questi apparecchi ci si può rivolgere al servizio pubblico preposto.

10 Dati tecnici

10.1 Generale

Base in alluminio, verniciatura a polveri di epossipoliestere, colore RAL9002

Corpo superiore e tettuccio in ABS

Viteria esterna in acciaio inox

10.2 Meccanica

Dimensioni utili interne: Vedi disegno

Pressacavi: 4xM16 (su piastra)

Piastra inox senza fori personalizzabile

Finestra in vetro extrachiaro

- Dimensioni (WxH): Vedi disegno

Peso unitario: 9.2kg

10.3 Elettrico

Tensione di alimentazione/Corrente assorbita (versione con triplo riscaldamento, ventilatori a ciclo continuo, Ton 15°C±3°C, Toff 22°C±3°C):

- 24Vac, 3.35A max, 50/60Hz
- 230Vac, 0.66A max, 50/60Hz

Tensione di alimentazione/Corrente assorbita (tergicristallo integrato):

- 24Vac, 0.3A max, 50/60Hz
- 230Vac, 32mA max, 50/60Hz

Alimentatore per telecamera

- IN da 100Vac fino a 240Vac, 50/60Hz - OUT 12Vdc, 1.25A (già installato nella versione 230Vac)

10.4 Ambiente

Installazione per interni ed esterni

Temperatura d'esercizio con riscaldamento: da -20°C fino a +60°C

10.5 Certificazioni

Sicurezza elettrica (CE): EN60950-1

Compatibilità elettromagnetica (CE): EN50130-4, EN61000-6-3

Grado di protezione IP (EN60529): IP66

Certificazione EAC

11 Disegni tecnici



Le misure indicate sono espresse in millimetri.

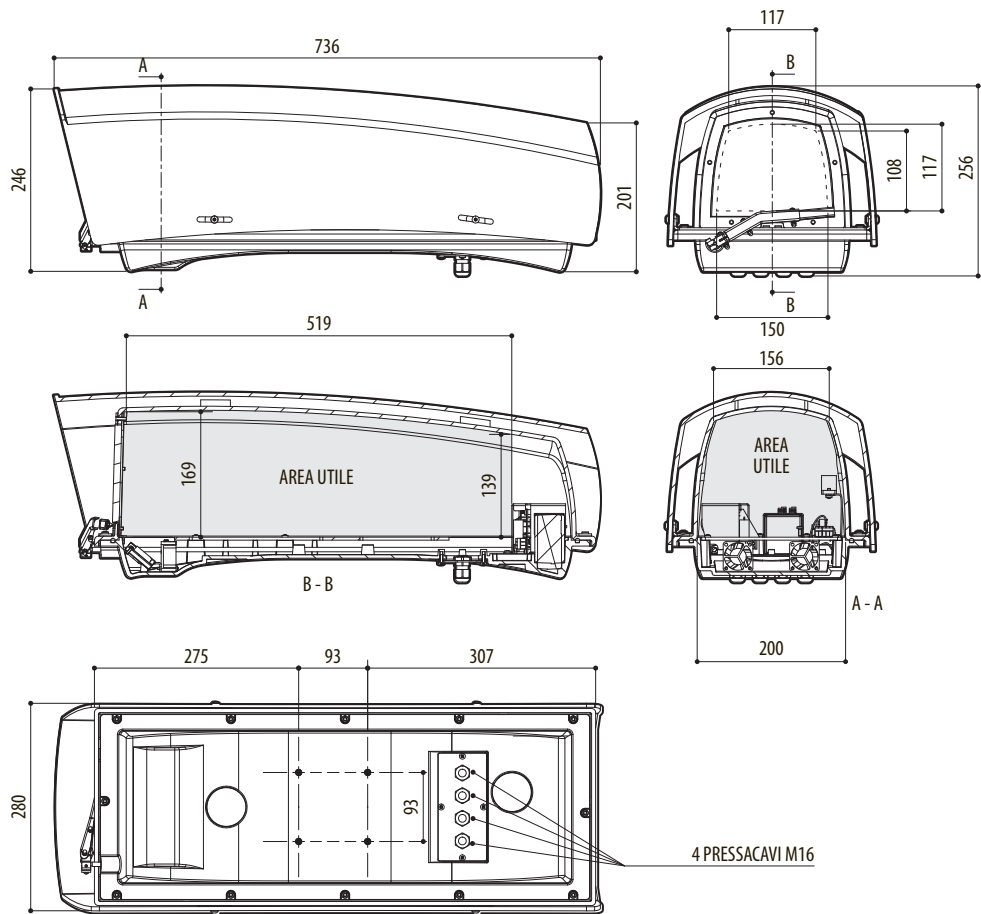


Fig. 23 HG.V.

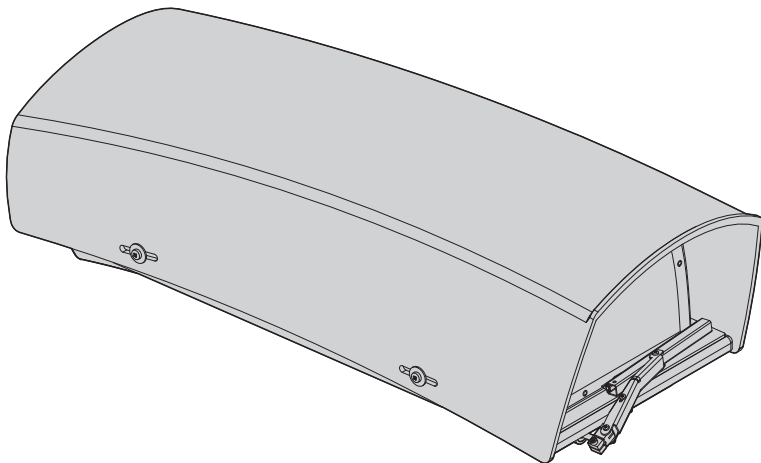


Headquarters Italy VIDEOTEC s.r.l.
Via Friuli, 6 - I-36015 Schio (VI) - Italy
Tel. +39 0445 697411 - Fax +39 0445 697414
Email: info@videotec.com
www.videotec.com

MNVCHGV_2222_IT

HGV

Caisson pour caméra de très grandes dimensions



Sommaire

1 À propos de ce mode d'emploi.....	4
1.1 Conventions typographiques.....	4
2 Notes sur le copyright et informations sur les marques de commerce.....	4
3 Normes de sécurité	4
4 Identification	5
4.1 Description et désignation du produit.....	5
4.2 Étiquette de marquage du produit.....	5
5 Préparation du produit en vue de l'utilisation.....	6
5.1 Déballage	6
5.2 Contenu	6
5.3 Élimination sans danger des matériaux d'emballage	6
5.4 Opérations à effectuer avant l'installation	6
5.4.1 Fixation du support	6
6 Installation	6
6.1 Fixation du toit pare-soleil.....	6
6.2 Fixation avec support mural	7
6.3 Ouverture du caisson	7
6.4 Retrait de la glissière.....	7
6.5 Fixation de l'optique et de la caméra	7
6.5.1 Utilisation de l'entretoise H-20.....	8
6.5.2 Positionnement de la glissière.....	9
6.6 Remplacement de la plaque presse-étoupes par une plaque en acier inoxydable fournie.....	9
6.7 Fixation du balai essuie-glace	10
6.7.1 Fixation de la platine avec buse.....	10
6.8 Description de la carte.....	11
6.9 Connexion de la ligne d'alimentation	11
6.10 Branchement de l'essuie-glace	12
6.11 Raccordement du dispositif d'indication de l'ouverture du caisson.....	12
6.12 Sachet déshydratant	12
6.13 Fermeture du caisson	12
7 Instructions de fonctionnement courant.....	13
8 Nettoyage	13
8.1 Nettoyage de la fenêtre et des parties en plastique.....	13
9 Informations sur l'élimination et le recyclage.....	13
10 Données techniques	13
10.1 Généralités.....	13
10.2 Mécanique.....	13
10.3 Électrique.....	13
10.4 Environnement.....	13
10.5 Certifications	13

1 À propos de ce mode d'emploi

Avant d'installer et d'utiliser ce produit, lire attentivement toute la documentation fournie. Garder le manuel à portée de main pour des consultations successives.

1.1 Conventions typographiques



DANGER!
Risque élevé.
Risque de choc électrique. Sauf indication contraire, sectionner l'alimentation avant de procéder à toute opération.



ATTENTION!
Risque moyen.
Opération extrêmement importante en vue d'un fonctionnement correct du système. Lire avec attention les opérations indiquées et s'y conformer rigoureusement.



REMARQUE
Description des caractéristiques du système.
Il est conseillé de procéder à une lecture attentive pour une meilleure compréhension des phases suivantes.

2 Notes sur le copyright et informations sur les marques de commerce

Les noms de produit ou de sociétés cités sont des marques de commerce ou des marques de commerce enregistrées.

3 Normes de sécurité



ATTENTION! L'installation et l'entretien du dispositif doivent être effectués exclusivement par un personnel technique qualifié.



ATTENTION! L'installation électrique à laquelle l'unité est branchée doit être équipée d'un interrupteur de protection bipolaire automatique. L'interrupteur pour les unités à tension de rete doit avoir un niveau d'intervention de 20A max. L'interrupteur pour les unités à basse tension doit avoir un niveau d'intervention de 6A max. Cet interrupteur doit être de type Listed. La distance minimale entre les de l'interrupteur de protection contacts doit être de 3mm. L'interrupteur doit être équipé de protection contre le courant de défaut vers la terre (différentiel) et le surintensité (magnétothermique).

- Le fabricant décline toute responsabilité pour les dommages éventuels dus à une utilisation non appropriée des appareils mentionnés dans ce manuel. On réserve en outre le droit d'en modifier le contenu sans préavis. La documentation contenue dans ce manuel a été rassemblée et vérifiée avec le plus grand soin. Le fabricant, cependant, ne peut assumer aucune responsabilité dérivant de l'emploi de celle là. La même chose vaut pour chaque personne ou société impliquées dans la création et la production de ce manuel.
- Sectionner l'alimentation avant de procéder à toute opération.
- Ne pas utiliser de câbles usés ou endommagés.
- Ne procéder sous aucun prétexte à des modifications ou des connexions non prévues dans ce manuel. L'utilisation d'appareils non adéquats peut comporter des dangers graves pour la sécurité du personnel et de l'installation.
- Utiliser uniquement des pièces de rechange d'origine. Les pièces non d'origine peuvent être source d'incendies, de choc électrique ou autres.
- Avant de procéder à l'installation, contrôler que le matériel fourni correspond à la commande et examiner les étiquettes de marquage (4.2 Étiquette de marquage du produit, page 5).

- Cet appareil est conçu pour être fixé et relié de manière permanente sur un bâtiment ou une structure adéquate. L'appareil doit être fixé et relié de manière permanente avant d'effectuer toute opération.
- Il faut respecter les législations nationales pour l'installation du dispositif.
- La catégorie d'installation (ou catégorie de surtension) spécifie les niveaux de la tension de secteur correspondant à l'appareil. La catégorie dépend du lieu d'installation et du dispositif de protection contre les surtensions installé. En cas d'environnement industriel directement connecté aux circuits de dérivation du système d'alimentation, l'équipement est classé dans la catégorie d'installation III. Dans ce cas, un déclassement à la catégorie II est nécessaire. Peut être obtenu au moyen d'un transformateur d'isolement avec blindage électrostatique entre le primaire et le secondaire ou en utilisant des dispositifs de protection contre les surtensions (SPD), UL listed, entre la phase et le neutre et entre le neutre et la terre. Les dispositifs SPD UL cités doivent être prévus pour limiter les surtensions transitoires en mode répétitif et pour les conditions nominales de fonctionnement suivantes: Type 2 (dispositifs SPD reliés en permanence au côté charge du côté du dispositif de protection contre les surintensités) ; courant nominal de décharge (In) 20kA min. Exemples d'utilisation possible: FERRAZ SHAWMUT, ST23401PG-CN, ST240SPG-CN spécifiés pour 120Vac/240Vca, (In=20kA). La distance maximale entre installation et réduction est de 5m.
- Chaque appareils pouvant être installés à l'intérieur du produit doivent être conformes aux normes de sécurité en vigueur.
- Le produit est conçu pour héberger uniquement des caméras correctement certifiées selon IEC/UL 60950-1 ou IEC/UL 62368-1 (7W max).

- L'installation électrique doit être équipée d'un sectionneur de réseau facile à reconnaître et à utiliser en cas de nécessité.

4 Identification

4.1 Description et désignation du produit

Le caisson HGV est l'idéal pour surveiller de grandes distances en extérieur dans des applications pour la sécurité publique, des ports, des côtes, des aéroports, pour la surveillance environnementale et la surveillance des frontières.

Caisson robuste avec base en aluminium, conçu pour simplifier l'installation et l'entretien et pour garantir une protection totale dans toutes les conditions environnementales.

Ses grandes dimensions intérieures le rendent compatible avec les objectifs motorisés les plus encombrants du marché.

Pour un accès facile pendant la mise en place et le réglage de la caméra, il est possible d'enlever la partie supérieure du corps du caisson, qui reste ancré par un robuste cordon de sécurité.

4.2 Étiquette de marquage du produit

Voir l'étiquette positionné sur le produit.

5 Préparation du produit en vue de l'utilisation



Toute modification non approuvée expressément par le fabricant entraînera l'annulation de la garantie.

5.1 Déballage

Lors de la livraison du produit, vérifier que l'emballage est en bon état et l'absence de tout signe évident de chute ou d'abrasion.

En cas de dommages évidents, contacter immédiatement le fournisseur.

En cas de retour du produit défectueux, il est conseillé d'utiliser l'emballage original pour le transport.

Conserver l'emballage en cas de nécessité d'expédition du produit pour réparation.

5.2 Contenu

Contrôler que le contenu correspond à la liste matériel indiquée ci-dessous:

- Caisson
- Dotation pour caisson:
 - Clé Allen
 - Plaque avec gicleur d'essuie-glace
 - Plaque en acier inoxydable sans trous pour presse-étoupes/connecteurs
 - Entretoises
 - Vis
 - Étriers pour fixation des optiques et caméras
- Balai pour essuie-glace
- Manuel d'instructions
- Sachet déshydratant

5.3 Élimination sans danger des matériaux d'emballage

Le matériel d'emballage est entièrement composé de matériaux recyclables. Le technicien chargé de l'installation est tenu de l'éliminer conformément aux dispositions en matière de collecte sélective et selon les normes en vigueur dans le pays d'utilisation.

5.4 Opérations à effectuer avant l'installation

5.4.1 Fixation du support



Le produit doit être fixé à l'aide des moyens appropriés. Les moyens de fixation doivent garantir l'étanchéité mécanique et appliquer une force égale au moins à 4 fois le poids total de l'appareil.

6 Installation

6.1 Fixation du toit pare-soleil

Fixer le double toit au caisson en utilisant des vis et rondelles fournies en dotation.

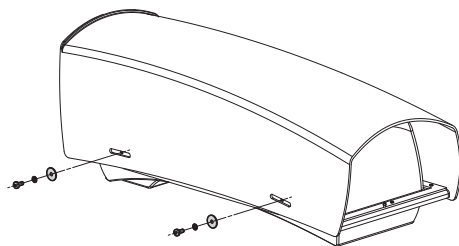


Fig. 1

6.2 Fixation avec support mural

Fixez le caisson à la bride à l'aide des vis fournies.

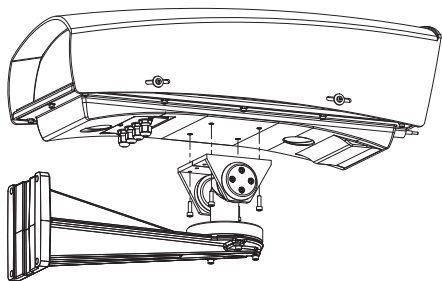


Fig. 2

6.3 Ouverture du caisson

Dévisser les vis anti-fuite situées sur les côtés et soulever la partie supérieure du caisson.

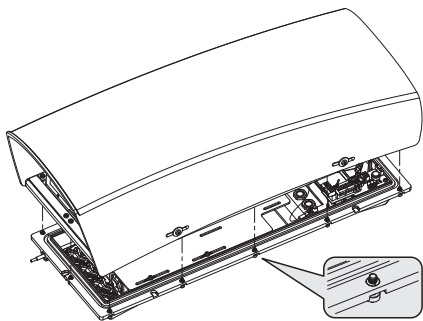


Fig. 3

Soulevez le corps supérieur avec toit intégré et laissez-le pendre au câble d'ancrage.

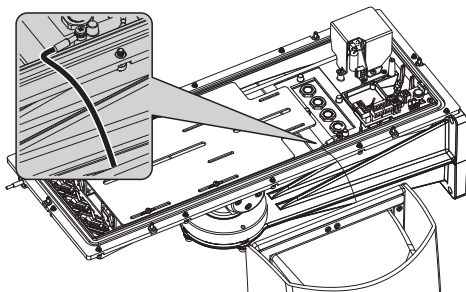


Fig. 4

6.4 Retrait de la glissière

Pour retirer la glissière, il faut dévisser les vis de fixation comme illustré en figure.

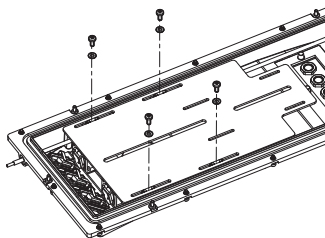


Fig. 5

6.5 Fixation de l'optique et de la caméra

Fixez la caméra (02) à l'optique (01).

Fixez la petite bride en L en aluminium (03) à la caméra à l'aide de la rondelle en nylon et de la vis à 1/4" (04).

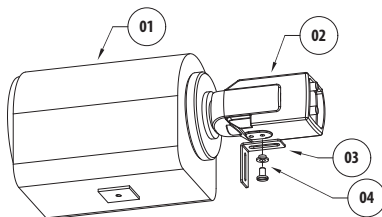


Fig. 6

Positionner l'optique sur la glissière (02) en intercalant l'entretoise en plastique (01). Fixez le tout avec la rondelle en nylon et la vis à 1/4" (03).

Si nécessaire, utiliser les entretoises supplémentaires pour positionner correctement la caméra et l'optique.

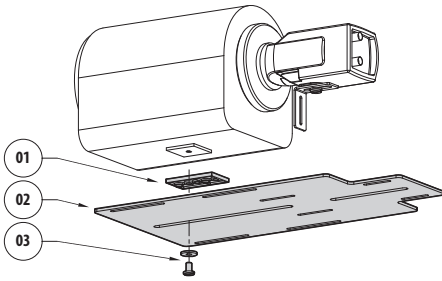


Fig. 7

Fixer la plaque en aluminium (01) sur la glissière au moyen des vis et de leurs rondelles (02).

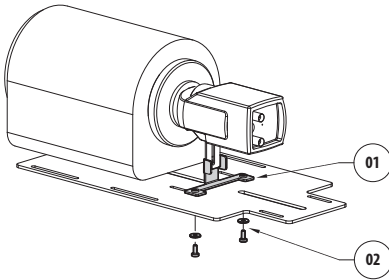


Fig. 8

Fixez la petite bride en L avec la vis (01).

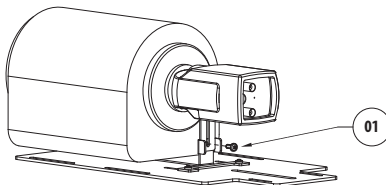


Fig. 9

6.5.1 Utilisation de l'entretoise H-20

Il est possible de fixer une entretoise H-20 (02). Fixez la caméra et la petite bride en L (6.5 Fixation de l'optique et de la caméra, page 7). Interposer une entretoise en plastique (01) de l'épaisseur requise et le fixer avec rondelle et vis (03).

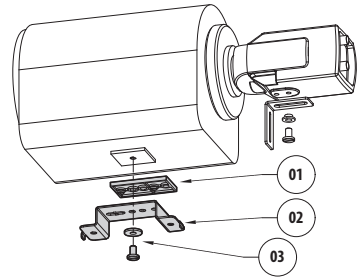


Fig. 10

Positionnez l'optique avec l'entretoise (01) sur la glissière (02) et fixez-la à l'aide des rondelles et des vis (03) fournies.

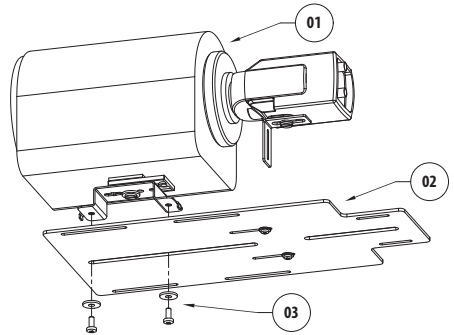


Fig. 11

Terminer le fixage comme représenté dans les images (Fig. 8, page 8 e Fig. 9, page 8).

6.5.2 Positionnement de la glissière

Faire glisser la glissière interne avec l'optique et la caméra déjà fixées en position et la fixer avec les rondelles et les vis fournies.

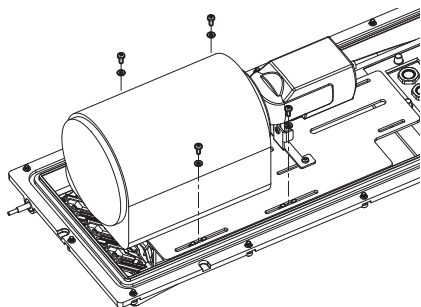


Fig. 12

6.6 Remplacement de la plaque presse-étoupes par une plaque en acier inoxydable fournie

Percez selon les besoins la plaque fournie.

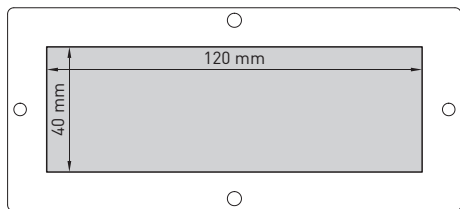


Fig. 13 Surface utile du perçage.

Remplacez la plaque standard en dévissant les vis de fixation.

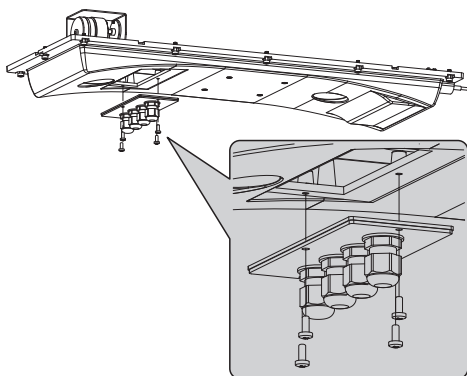


Fig. 14

Interposez le joint entre la nouvelle plaque et le caisson.

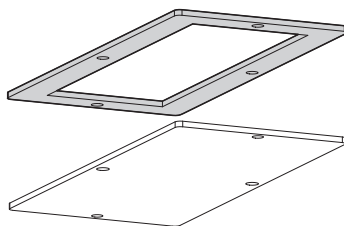


Fig. 15

Bloquez la nouvelle plaque à l'aide des vis de fixation (Fig. 14, page 9).

6.7 Fixation du balai essuie-glace

Insérer le balai sur l'arbre de l'essuie-glace

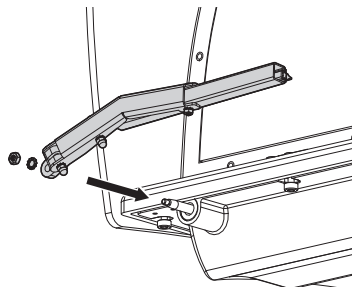


Fig. 16

Mettez le balai en position de repos.

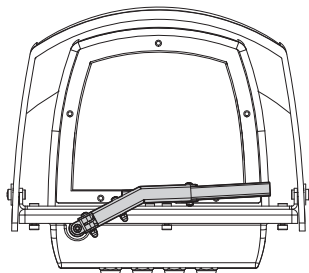


Fig. 17



Le réglage correct doit permettre au balai de revenir en position de repos, frappant sur le corps inférieur du caisson.

Fixez à l'aide d'une rondelle et d'un écrou.

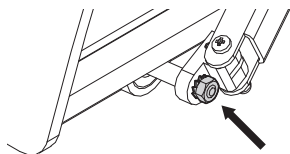


Fig. 18

6.7.1 Fixation de la platine avec buse

Fixez la plaque (01) avec le gicleur déjà monté sur le corps inférieur à l'aide des deux vis (02) fournies.

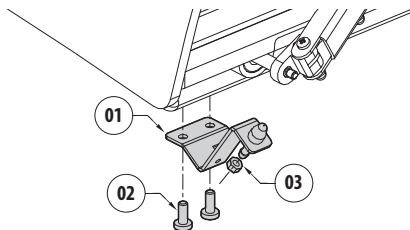


Fig. 19



Pour calibrer le jet, orientez le gicleur vers la fenêtre du caisson.

Serrez l'écrou (03) pour bloquer le gicleur dans sa position.

6.8 Description de la carte

i L'aspect de la carte pourrait être différent de celui qui est illustré.

i La carte, selon la version du produit, pourrait ne pas être munie de toutes les fonctions.

DESCRIPTION DE LA CARTE		
Connecteur	Fonction	Remarques
J6	Alimentation de la camera (V _{OUT})	
J7	Alimentation de la carte (V _{IN})	Selon le modèle d'alimentation, les deux connecteurs ont une utilisation différente. Lorsqu'il est alimenté en 12vdc, le connecteur A correspond à la polarité +, tandis que le connecteur B correspond à la polarité -. Lorsqu'il est alimenté en 24vac, les connecteurs A et B sont équivalents et correspondent à la tension Vac.
J8	Connecteur d'alimentateur/de barrette	
J9	Contacts de l'interrupteur anti-ouverture (SW1)	Cavalier présent uniquement dans les modèles ventilés
J10	Sortie auxiliaire (V _{OUT})	Même tension appliquée sur J7
SW1	Interrupteur anti-ouverture	Certains modèles uniquement

Tab. 1

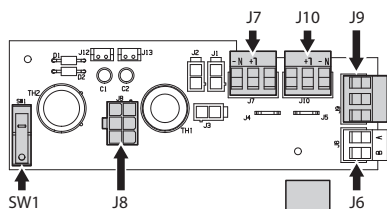


Fig. 20

i Section nominale des câbles utilisés: de 0.2mm² (24AWG) jusqu'à 2.5mm² (13AWG).

6.9 Connexion de la ligne d'alimentation

! ATTENTION! Le type de câble utilisé doit être compatible avec l'usage prévu. Respectez les règles nationales en vigueur en matière d'installations électriques.

! Brancher la terre de sécurité à la borne correspondante du connecteur d'alimentation.

! Le câble de terre doit être plus long des deux autres d'environ 10mm pour éviter tout détachement accidentel.

Introduisez les câbles dans le caisson via les presse-étoupes. Les presse-câbles sont prévus pour des conducteurs avec un diamètre compris entre 5mm et 10mm. La partie de câble à l'intérieur de la gaine doit être suffisamment long pour permettre le branchement. Serrer opportunément les presse-étoupes.

Branchez les conducteurs à la borne (alimentation de la carte, 6.8 Description de la carte, page 11).

6.10 Branchement de l'essuie-glace

Ouvrir le caisson selon la description dans le chapitre correspondant (6.3 Ouverture du caisson, page 7).

Identifier la borne de la carte de l'essui-glace.

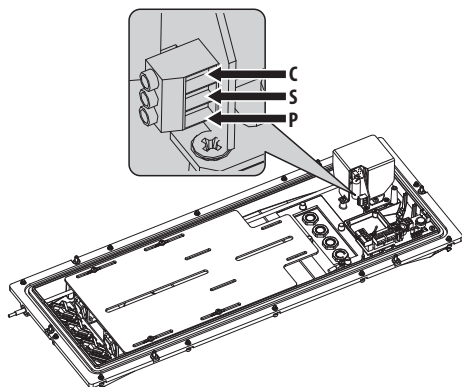


Fig. 21

Brancher la carte de l'essuie-glace au réseau d'alimentation selon la figure.

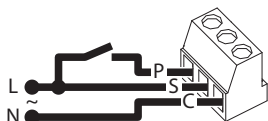


Fig. 22

En pressant le bouton on active l'essuie-glace. En relâchant le bouton-poussoir, la brosse de l'essuie-glace se mettra en position de repos.

Si l'on dispose d'un récepteur ayant la fonction de commande Wiper, brancher les bornes SW, PER et COM respectivement aux terminaux S, P et C de la carte.

i Section nominale des câbles utilisés: de 0.2mm² (24AWG) jusqu'à 2.5mm² (13AWG).

6.11 Raccordement du dispositif d'indication de l'ouverture du caisson

⚠ Tension de travail interrupteur : 30Vac max. ou 60Vdc max.

Identifiez sur la fiche la borne de l'interrupteur anti-ouverture (contacts interrupteur anti-ouverture, Fig. 20, page 11).

Effectuer les branchements selon ce qui est décrit dans le tableau.

RACCORDEMENT INTERRUPTEUR ANTI-OUVERTURE	
Contact	Description
COM	Contact commun interrupteur
NC	Contact normalement fermé
NO	Contact normalement ouvert

Tab. 2

6.12 Sachet déshydratant

Prenez le sachet de sel desséchant de son emballage et le placer dans le produit.

6.13 Fermeture du caisson

⚠ Faire attention pendant la fixation. Couple de serrage: 1.6Nm

Fermer le caisson en repétant au contraire les operations (6.3 Ouverture du caisson, page 7).

7 Instructions de fonctionnement courant



Ne pas utiliser l'essuie-glace si la température ambiante est inférieure à 0°C ou en présence de glace.

8 Nettoyage

8.1 Nettoyage de la fenêtre et des parties en plastique



On doit éviter alcool éthylique, solvants, hydrocarbures hydro-génés, acides forts et alcali. L'emploi de ce type de produits abîme d'une façon irréparable la surface traitée.

Il est conseillé d'utiliser un chiffon souple avec des savons neutres dilués avec de l'eau ou des produits spécifiques pour le nettoyage des verres des lunettes.

9 Informations sur l'élimination et le recyclage

La Directive Européenne 2012/19/UE sur les déchets d'équipements électriques et électroniques (DEEE) exige que ces dispositifs ne doivent pas être éliminés dans le flux normal de déchets solides municipaux, mais ils doivent être collectés séparément afin d'optimiser le flux de récupération et de recyclage des matériaux qu'ils contiennent et pour réduire l'impact sur la santé humaine et l'environnement en raison de la présence de substances potentiellement dangereuses.



Le symbole de la poubelle sur roues barrée d'une croix figure sur tous les produits pour le rappeler.

Les déchets peuvent être livrés aux centres de collecte appropriés ou peuvent être livrés gratuitement au distributeur où vous avez acheté l'équipement, au moment de l'achat d'un nouvel dispositif équivalent ou sans obligation d'achat pour un équipement de taille inférieure de 25cm.

Pour plus d'informations sur l'élimination correcte de ces dispositifs, vous pouvez contacter le service public responsable.

10 Données techniques

10.1 Généralités

Base en aluminium, vernissage avec poudres époxypolyester, couleur RAL9002

Corps supérieur et double toit en ABS

Visserie extérieure en acier inox

10.2 Mécanique

Surface intérieure utile: Voir dessin

Presse-étoupes: 4xM16 (sur plaque)

Plaque en acier inoxydable personnalisable sans trous

Fenêtre en verre extra-clair

- Dimensions (WxH): Voir dessin

Poids net: 9.2kg

10.3 Électrique

Tension d'alimentation/Courant absorbé (version avec triple chauffage, ventilateurs à cycle continu, Ton 15°C±3°C, Toff 22°C±3°C):

- 24Vac, 3.35A max, 50/60Hz
- 230Vac, 0.66A max, 50/60Hz

Tension d'alimentation/Courant absorbé (essuie-glace intégré):

- 24Vac, 0.3A max, 50/60Hz
- 230Vac, 32mA max, 50/60Hz

Alimentation pour caméra

- IN de 100Vac jusqu'à 240Vac, 50/60Hz - OUT 12Vdc, 1.25A (déjà installé dans la version 230Vac)

10.4 Environnement

Installation d'intérieur et d'extérieur

Température de fonctionnement avec chauffage: de -20°C jusqu'à +60°C

10.5 Certifications

Sécurité électrique (CE): EN60950-1, EN62368-1

Compatibilité électromagnétique (CE): EN50130-4, EN61000-6-3

Degré de protection IP (EN60529): IP66

Certification EAC

11 Dessins techniques



Les tailles indiquées sont en millimètres.

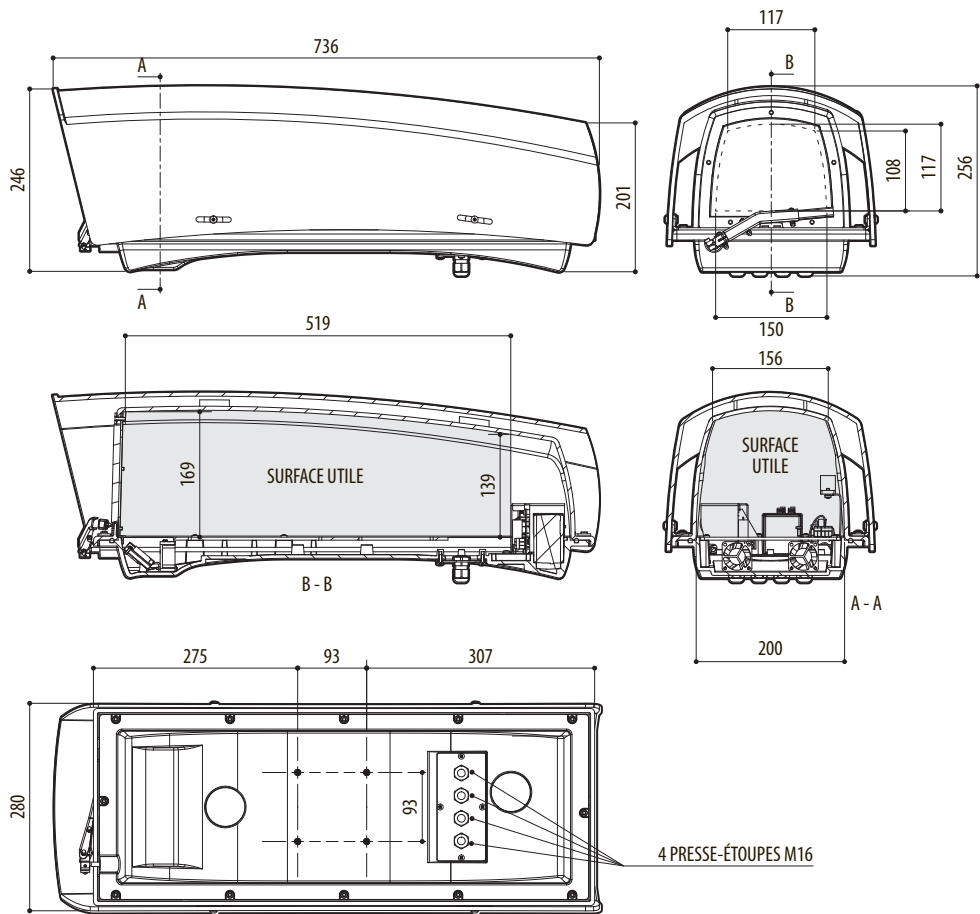


Fig. 23 HGV.



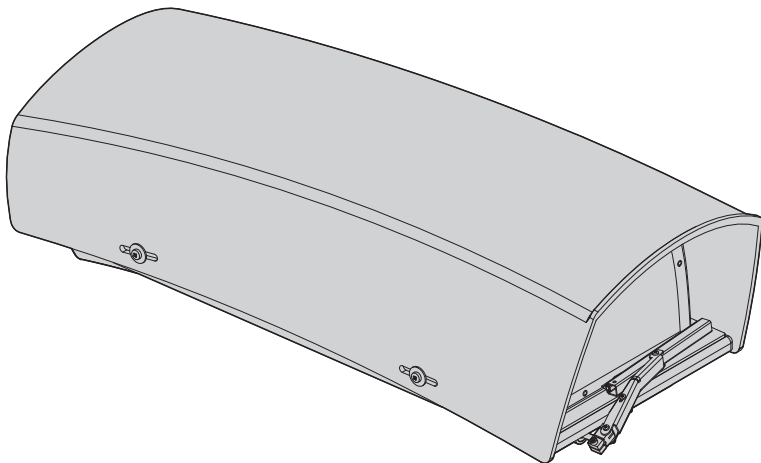
Headquarters Italy VIDEOTEC s.r.l.
Via Friuli, 6 - I-36015 Schio (VI) - Italy
Tel. +39 0445 697411 - Fax +39 0445 697414
Email: info@videotec.com
www.videotec.com

MNVCHGV_2222_FR



HGV

Extra grosses Kameragehäuse



Inhaltsverzeichnis

1 Allgemeines	4
1.1 Schreibweisen.....	4
2 Anmerkungen zum Copyright und Informationen zu den Handelsmarken	4
3 Sicherheitsnormen	4
4 Identifizierung	5
4.1 Beschreibung und Bezeichnung des Produktes.....	5
4.2 Schildchen mit Produktkennzeichnung.....	5
5 Vorbereitung des Produktes auf den Gebrauch	6
5.1 Entfernen der Verpackung.....	6
5.2 Inhalt.....	6
5.3 Sichere Entsorgung der Verpackungsmaterialien	6
5.4 Auf die Installation vorbereitende Tätigkeiten	6
5.4.1 Befestigung der Halterung	6
6 Installation	6
6.1 Befestigung des Sonnenschutzdachs.....	6
6.2 Befestigung mit Wandhalterung	7
6.3 Öffnen des Gehäuses.....	7
6.4 Entfernen des Schlittens	7
6.5 Befestigung der Optik und der Kamera.....	7
6.5.1 Verwendung des Abstandstücks H-20.....	8
6.5.2 Positionierung des Schlittens.....	9
6.6 Austausch der Platte für Kabeldurchführungen mit der im Lieferumfang enthaltenen Platte aus rostfreiem Stahl	9
6.7 Befestigung des Wischerblattes.....	10
6.7.1 Befestigung des Plättchens mit Düse.....	10
6.8 Beschreibung der Platine	11
6.9 Anschluss der Stromversorgung	11
6.10 Anschluss des Scheibenwischers	12
6.11 Anschluss der Hinweisvorrichtung Öffnung Gehäuse	12
6.12 Trockenmittelbeutel.....	12
6.13 Schließen des Gehäuses	12
7 Anleitung für den normalen Betrieb	13
8 Reinigung	13
8.1 Reinigung des Fensters und der Kunststoffteile	13
9 Informationen bezüglich Entsorgung und Recycling	13
10 Technische Daten	13
10.1 Allgemeines	13
10.2 Mechanik.....	13
10.3 Elektrik.....	13
10.4 Umgebung	13

10.5 Zertifizierungen.....	13
11 Technische Zeichnungen	14

1 Allgemeines

Vor der Installation und Anwendung dieses Produkts ist die gesamte mitgelieferte Dokumentation aufmerksam zu lesen. Zum späteren Nachschlagen das Handbuch in Reichweite aufbewahren.

1.1 Schreibweisen



GEFAHR!

Erhöhte Gefährdung. Stromschlaggefahr. Falls nichts anderes angegeben, unterbrechen Sie die Stromversorgung, bevor die beschriebenen Arbeiten durchgeführt werden.



ACHTUNG!

Mittlere Gefährdung. Der genannte Vorgang hat große Bedeutung für den einwandfreien Betrieb des Systems. Es wird gebeten, sich die Verfahrensweise durchzulesen und zu befolgen.



ANMERKUNG

Beschreibung der Systemmerkmale. Eine sorgfältige Lektüre wird empfohlen, um das Verständnis der folgenden Phasen zu gewährleisten.

2 Anmerkungen zum Copyright und Informationen zu den Handelsmarken

Die angeführten Produkt- oder Firmennamen sind Handelsmarken oder eingetragene Handelsmarken.

3 Sicherheitsnormen



ACHTUNG! Die Installation und Wartung der Vorrichtung ist technischen Fachleuten vorbehalten.



ACHTUNG! Die elektrische Anlage, an der die Einheit angeschlossen ist, muss mit einem automatischen zweipoligen Schutzschalter versehen werden. Der Schalter für die mit Netzspannung betriebenen Einheiten muss eine Auslöseschwelle von max. 20A haben. Der Schalter für die mit Niederspannung betriebenen Einheiten muss eine Auslöseschwelle von max. 6A haben. Dieser Schalter muss vom Typ Listed sein. Zwischen den Schutzschalter Kontakten muss mindestens ein Abstand von 3mm vorhanden sein. Der Schalter muss eine Schutzeinrichtung gegen Erde Fehlerstrom (Differenzial) und gegen Überstrom haben (magnetothermisch).

- Der Hersteller lehnt jede Haftung für eventuelle Schäden ab, die aufgrund unsachgemäßer Anwendung der in diesem Handbuch erwähnten Geräte entstanden ist. Ferner behält er sich das Recht vor, den Inhalt ohne Vorkündigung abzuändern. Die Dokumentation in diesem Handbuch wurde sorgfältig ausgeführt und überprüft. Der Hersteller kann dennoch keine Haftung für die Verwendung übernehmen. Dasselbe gilt für jede Person oder Gesellschaft, die bei der Schaffung oder Produktion von diesem Handbuch miteinbezogen ist.
- Unterbrechen Sie die Stromversorgung, bevor die beschriebenen Arbeiten durchgeführt werden.
- Es dürfen keine Kabel mit Verschleiß- oder Alterungsspuren verwendet werden.
- Unter keinen Umständen dürfen Veränderungen oder Anschlüsse vorgenommen werden, die in diesem Handbuch nicht genannt sind. Der Gebrauch ungeeigneten Geräts kann die Sicherheit des Personals und der Anlage schwer gefährden.
- Es dürfen nur Original-Ersatzteile verwendet werden. Nicht originale Ersatzteile können zu Bränden, elektrischen Entladungen oder anderen Gefahren führen.
- Vor der Installation ist anhand des Kennzeichnungsschildes nachzuprüfen, ob das gelieferte Material die gewünschten Eigenschaften (4.2 Schildchen mit Produktkennzeichnung, Seite 5).

- Die Einrichtung ist für die dauerhafte Befestigung und Verbindung in ein Gebäude oder eine andere geeignete Struktur konzipiert. Vor jeder Operation muss die Einrichtung dauerhaft befestigt und verbunden werden.
- Die nationalen Vorschriften für die Installation der Einrichtung sind einzuhalten.
- Die Installationskategorie (auch als Überspannungskategorie bezeichnet) gibt den Pegel der Netzspannungsstöße an, denen die Ausrüstung ausgesetzt ist. Die Kategorie hängt vom Installationsort der Ausrüstung und von den externen Schutzvorrichtungen gegen Spannungsstöße ab. Ausrüstungen in einer gewerblichen Umgebung, die direkt mit den Hauptzweigen der Versorgungsanlage verbunden sind, gehören zur Installationskategorie III. In diesem Fall ist eine Abstufung auf Installationskategorie II erforderlich. Alternativ können UL listed Überspannungsschutzvorrichtungen (SPD) von Fase zu Nullleiter und von Nullleiter zur Erde geführt werden. UL-gelistete Überspannungsschutzvorrichtungen sind für die wiederholte Begrenzung kurzzeitig auftretender Spannungsspitzen und für die folgenden nominellen Betriebsbedingungen auszulegen: Typ 2 (Dauerhaft angeschlossene Überspannungsschutzvorrichtungen für die Installation auf der Ladungsseite der Hilfseinrichtung); Nennladestrom (In) 20kA min. Benutzt werden können beispielsweise: FERRAZ SHAWMUT, STT2240SPG-CN, STT2BL240SPG-CN, spezifiziert für 120Vac/240Vac, (In=20kA). Der maximale Abstand zwischen dem Einbau und der Abkürzung ist 5m.
- Jede Art in das Produkt installierbares Gerät muss den geltenden Sicherheitsnormen genügen.
- Das Produkt kann nur für entsprechend zertifizierte Kameras benutzt werden, die gemäß IEC/UL 60950-1 oder IEC/UL 62368-1 (7W max).
- Die elektrische Anlage muss mit einem Netztrennschalter versehen sein, der im Bedarfsfall sofort erkannt und gebraucht werden kann.

4 Identifizierung

4.1 Beschreibung und Bezeichnung des Produktes

Das Gehäuse HGV ist ideal, um im Außenbereich über große Distanzen für die Überwachung bei Anwendungen für die öffentliche Sicherheit von Häfen, Küsten oder Flughäfen sowie für die Umweltbeobachtung und die Überwachung der Landesgrenzen eingesetzt zu werden.

Robustes Gehäuse mit Aluminiumbasis, das im Hinblick auf eine einfache Installation und Wartung konstruiert ist und vollständigen Schutz gegen sämtliche Umgebungsbedingungen bietet.

Wegen seiner Großabmessungen ist es kompatibel mit den sperrigsten Optiken auf dem Markt.

Um eine einfache Installation und Regelung der Kamera, ist es möglich die Oberseite des Gehäusekörpers zu entfernen, der am Sicherungsseil befestigt bleibt.

4.2 Schildchen mit Produktkennzeichnung

Siehe das Label auf dem Produkt.

5 Vorbereitung des Produktes auf den Gebrauch



Jede vom Hersteller nicht ausdrücklich genehmigte Veränderung führt zum Verfall der Gewährleistungsrechte.

5.1 Entfernen der Verpackung

Bei der Lieferung des Produktes ist zu prüfen, ob die Verpackung intakt ist oder offensichtliche Anzeichen von Stürzen oder Abrieb aufweist.

Bei offensichtlichen Schadensspuren an der Verpackung muss umgehend der Lieferant verständigt werden.

Im Falle der Rückgabe des nicht korrekt funktionierenden Produktes empfiehlt sich die Verwendung der Originalverpackung für den Transport.

Bewahren Sie die Verpackung auf für den Fall, dass das Produkt zur Reparatur eingesendet werden muss.

5.2 Inhalt

Prüfen Sie, ob der Inhalt mit der nachstehenden Materialliste übereinstimmt:

- Gehäuse
- Innensechskantschlüssel:
 - Sechskantschlüssel
 - Düsenplatte für Scheibenwischer
 - Platte aus rostfreiem Stahl ohne Löcher für Kabeldurchführungen / Steckverbinder
 - Abstandsstücke
 - Schrauben
 - Befestigungsbügel für Optiken und Kameras
- Wischerblatt für Scheibenwischer
- Bedienungsanleitung
- Trockenmittelbeutel

5.3 Sichere Entsorgung der Verpackungsmaterialien

Die Verpackungsmaterialien sind vollständig wiederverwertbar. Es ist Sache des Installationstechnikers, sie getrennt, auf jeden Fall aber nach den geltenden Vorschriften des Anwendungslandes zu entsorgen.

5.4 Auf die Installation vorbereitende Tätigkeiten

5.4.1 Befestigung der Halterung



Das Produkt muss mit geeigneten Mitteln befestigt werden. Die Befestigungsmittel müssen die mechanische Festigkeit beim Anlegen von mindestens dem 4-fachen Gesamtgewicht des Gerätes garantieren.

6 Installation

6.1 Befestigung des Sonnenschutzdachs

Das Dach mithilfe der mitgelieferten Schrauben und Unterlegescheiben am Gehäuse befestigen.

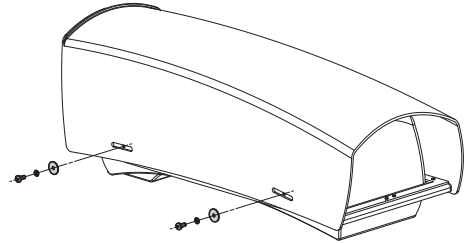


Abb. 1

6.2 Befestigung mit Wandhalterung

Das Gehäuse mit den im Lieferumfang enthaltenen Schrauben am Bügel befestigen.

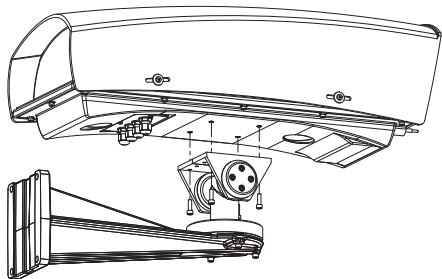


Abb. 2

6.3 Öffnen des Gehäuses

Die lecksicheren Schrauben an den Seiten lösen, den oberen Teil des Gehäuses anheben.

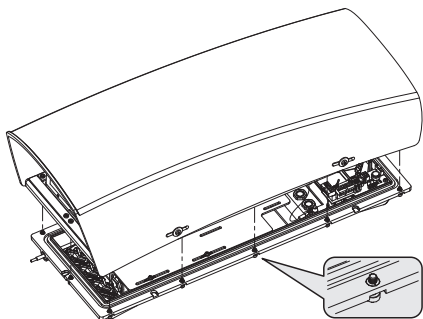


Abb. 3

Den oberen Korpus mit eingebautem Sonnenschutzdach anheben und am Halteseil hängen lassen.

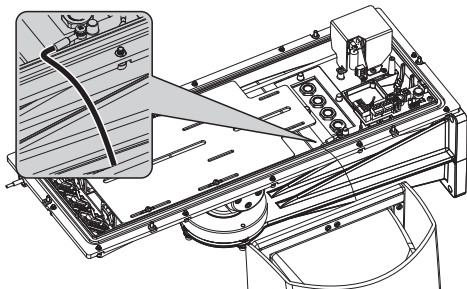


Abb. 4

6.4 Entfernen des Schlittens

Für die Entfernung des Schlittens müssen die Befestigungsschrauben gelöst werden, wie in der Abbildung gezeigt.

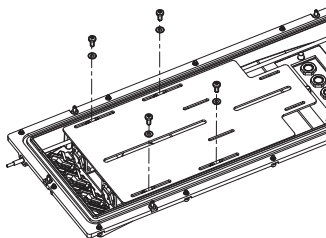


Abb. 5

6.5 Befestigung der Optik und der Kamera

Die Kamera (02) an der Optik (01) befestigen.

Den Bügel in L-Form aus Aluminium (03) an der Kamera mit der Unterlegscheibe aus Nylon und der 1/4"-Schraube (04) befestigen.

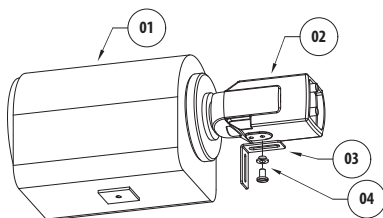


Abb. 6

Die Optik auf dem Schlitten (02) positionieren. Dabei den Abstandhalter aus Plastik zwischenlegen (01). Alles mit der Unterlegscheibe aus Nylon und der 1/4"-Schraube (03) befestigen.

Falls erforderlich, zur korrekten Positionierung von Kamera und Optik die zusätzlich vorhandenen Abstandhalter benutzen.

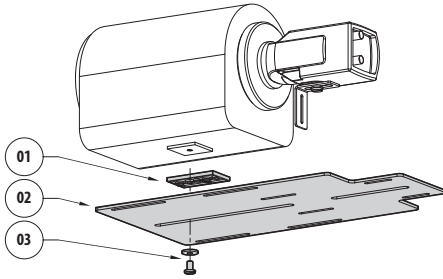


Abb. 7

Die Aluminiumplatte (01) mit den Schrauben und den zugehörigen Unterlegscheiben (02) auf dem Schlitten befestigen.

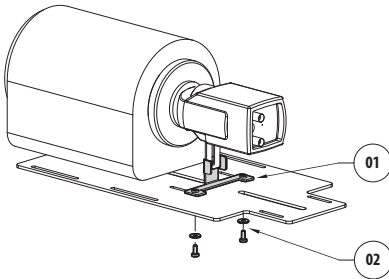


Abb. 8

Den Bügel in L-Form mit der Schraube (01) befestigen.

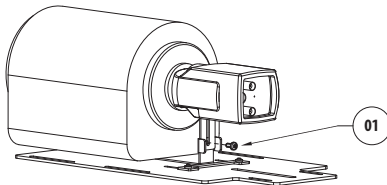


Abb. 9

6.5.1 Verwendung des Abstandstücks H-20

Ein Abstandsstück H-20 (02) kann befestigt werden. Die Kamera und den Bügel in L-Form befestigen (6.5 Befestigung der Optik und der Kamera, Seite 7). Legen Sie einen Abstandhalter aus Plastik in der gewünschten Dicke dazwischen und befestigen Sie ihn mit Unterlegscheibe und Schraube (03).

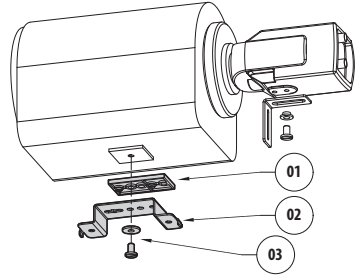


Abb. 10

Die Optik mit dem Abstandsstück (01) am Schlitten (02) positionieren und mit den im Lieferumfang enthaltenen Unterlegscheiben und Schrauben (03) befestigen.

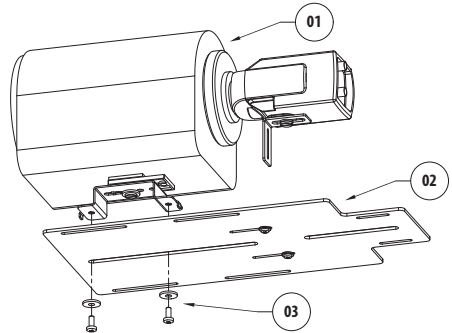


Abb. 11

Die Befestigung wie in den Bildern gezeigt beenden (Abb. 8, Seite 8 e Abb. 9, Seite 8).

6.5.2 Positionierung des Schlittens

Den Innenschlitten mit der Optik und der Kamera, beides bereits befestigt, in die gewünschte Position gleiten lassen und dort mit den Unterlegscheiben und Schrauben aus dem Lieferumfang fixieren.

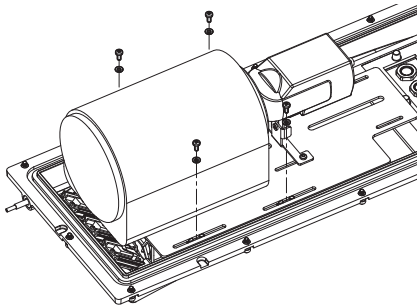


Abb. 12

6.6 Austausch der Platte für Kabeldurchführungen mit der im Lieferumfang enthaltenen Platte aus rostfreem Stahl

Die im Lieferumfang enthaltene Platte nach Notwendigkeit durchbohren.

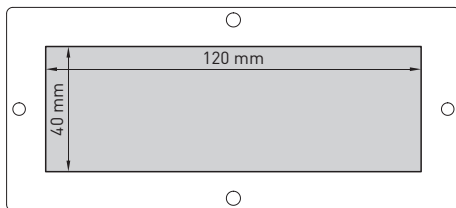


Abb. 13 Nutzbare Fläche für Bohrung.

Die Standardplatte durch Lösen der Befestigungsschrauben austauschen.

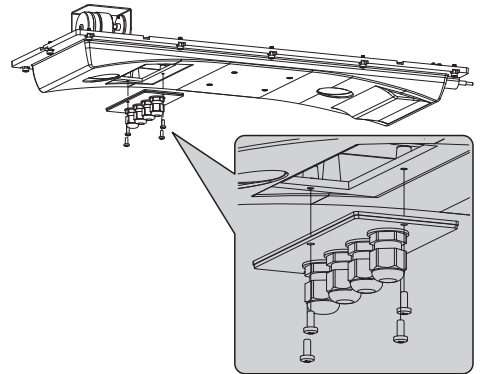


Abb. 14

Die Dichtung zwischen die neue Platte und dem Gehäuse legen.

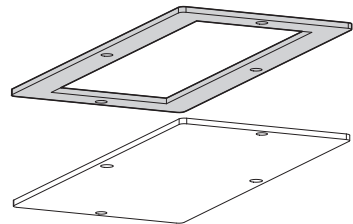


Abb. 15

Die neue Platte mithilfe der Befestigungsschrauben blockieren (Abb. 14, Seite 9).

6.7 Befestigung des Wischerblattes

Das Wischerblatt auf die Welle des Scheibenwischers setzen.

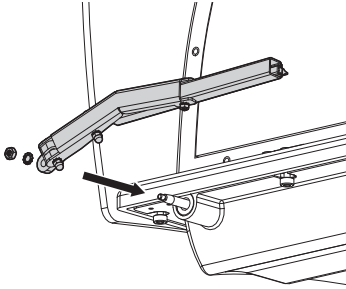


Abb. 16

Die Bürste in die Ruhestellung bringen.

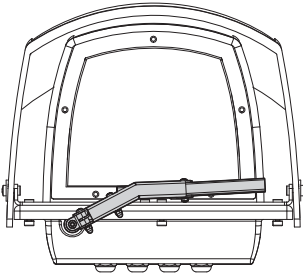


Abb. 17



Die korrekte Einstellung muss es der Bürste ermöglichen, in die Ruhestellung zurückkehren zu können, wobei sie am unteren Gehäusekorpus anschlägt.

Mit der Unterlegscheibe und der Mutter befestigen.

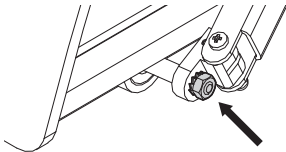


Abb. 18

6.7.1 Befestigung des Plättchens mit Düse

Die bereits am unteren Korpus montierte Düsenplatte (01) mit den zwei im Lieferumfang enthaltenen Schrauben (02) befestigen.

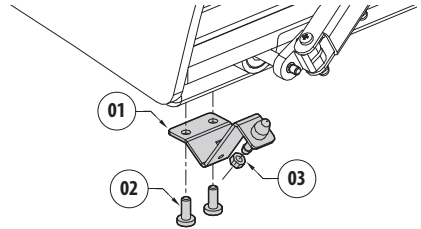


Abb. 19



Zum Einstellen des Strahls die Düse Richtung Gehäusescheibe richten.

Die Mutter (03) festziehen, um die Düse in der Position zu blockieren.

6.8 Beschreibung der Platine

i Die Abbildung kann von der tatsächlichen Karte abweichen.

i Je nach Geräteausführung verfügt die Karte möglicherweise nicht über alle Funktionen.

BESCHREIBUNG DER PLATINE		
Ver- binder	Funktion	Anmerkungen
J6	Kameraversorgung (V _{OUT})	
J7	Platinenversorgung (V _{IN})	Afhankelijk van het model van de voedingseenheid hebben de twee connectoren een verschillend gebruik. Indien gevoed in 12 vdc-connector A overeenkomt met polariteit +, terwijl connector B overeenkomt met polariteit - . Als de stekkers A en B worden gevoed via 24 vac, zijn ze gelijkwaardig en komen ze overeen met de spanning Vac.
J8	Steckverbinder für Netzteil / Drahtbrücke	
J9	Kontakte Öffnungsschutzschalter (SW1)	Jumper alleen aanwezig in geventileerde modellen
J10	Hilfsausgang (V _{OUT})	Dezelfde spanning toegepast op J7
SW1	Öffnungsschutzschalter	Alleen bepaalde modellen

Tab. 1

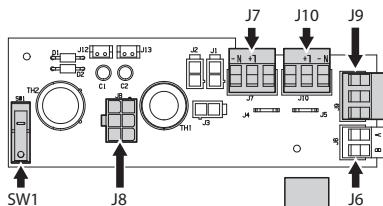


Abb. 20

i Nennquerschnitt der verwendeten Kabel: von 0.2mm² (24AWG) bis zu 2.5mm² (13AWG).

6.9 Anschluss der Stromversorgung

! ACHTUNG! Der verwendete Kabeltyp muss mit dem vorgesehenen Einsatz kompatibel sein. An die geltenden nationalen Vorschriften in Bezug auf elektrische Installationen halten.

! Den Erdungsschutzleiter an die zugehörige Stromversorgungsklemme anschließen.

! Das Erdungskabel muss um etwa 10mm länger sein, als die anderen beiden Kabel, um das ungewollte Lösen durch Ziehen des Kabels zu verhindern.

Die Kabel in das Gehäuse mittels der Kabeldurchführungen einführen. Die Kabelverschraubungen eignen sich für Leiter mit Durchmesser zwischen 5mm und 10mm. Der Kabelabschnitt im Gehäuse muss ausreichend lang sein, damit der Anschluss möglich ist. Ziehen Sie die Kabelverschraubungen in geeigneter Weise fest.

Die Leiter an die Klemme anschließen (Platinenversorgung, 6.8 Beschreibung der Platine, Seite 11).

6.10 Anschluss des Scheibenwischers

Das Gehäuse nach der Erläuterung im zugehörigen Kapitel öffnen (6.3 Öffnen des Gehäuses, Seite 7). Die Klemme der Wischerplatine ausfindig machen.

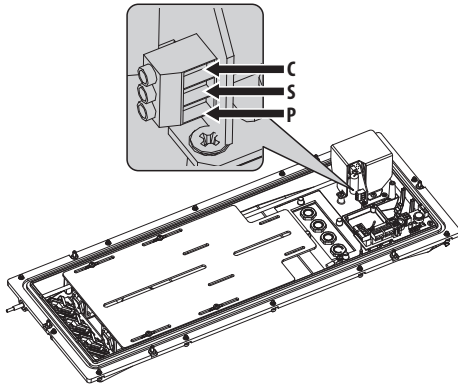


Abb. 21

Die Karte des Scheibenwischers wie in der Abbildung gezeigt an das Stromnetz anschließen.

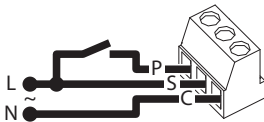


Abb. 22

Wenn die Taste gedrückt wird, wird der Scheibenwischer eingeschaltet. Beim Loslassen des Knopfes wird das Scheibenwischerblatt in die Ruhstellung geführt.

Steht ein Empfänger mit der Steuerungsfunktion Wiper zur Verfügung, müssen die Klemmen SW, PER und COM - in dieser Reihenfolge - mit den Endstücken S, P und C der Platine verbunden werden.

i **Nennquerschnitt der verwendeten Kabel: von 0.2mm² (24AWG) bis zu 2.5mm² (13AWG).**

6.11 Anschluss der Hinweisvorrichtung Öffnung Gehäuse

⚠ Arbeitsspannung Schalter: max. 30Vac oder max. 60Vdc

Auf der Steckerplatte die Klemme für den Öffnungsschutzschalter ausmachen (Kontakte Öffnungsschutzschalter, Abb. 20, Seite 11).

Die Anschlüsse nach den Angaben in der Tabelle vornehmen.

ANSCHLUSS ÖFFNUNGSSCHUTZSCHALTER	
Kontakt	Beschreibung
COM	Gemeinsamer Kontakt Schalter
NC	Kontakt normalerweise geschlossen
NO	Kontakt normalerweise offen

Tab. 2

6.12 Trockenmittelbeutel

Nehmen Sie den Trockenmittel- Salzbeutel aus seiner Verpackung und setzen Sie ihn in der Produkt.

6.13 Schließen des Gehäuses

⚠ Auf die Befestigung achten. Anzugsdrehmoment: 1.6Nm

Machen Sie das Gehäuse mit dem entgegengesetzten Bedienungsverfahren zu (6.3 Öffnen des Gehäuses, Seite 7).

7 Anleitung für den normalen Betrieb



Den Scheibenwischer nicht verwenden, wenn die Umgebungstemperatur unter 0°C liegt oder wenn Eis vorhanden ist.

8 Reinigung

8.1 Reinigung des Fensters und der Kunststoffteile



Zu vermeiden sind Äthylalkohol, Lösungsmittel, hydrierte Kohlenwasserstoffe, starke Säuren und alkalische Lösungen. Diese Produkte können die behandelte Oberfläche beschädigen.

Es wird empfohlen, ein weiches Tuch und neutrale mit Wasser verdünnte Seife oder ein spezifisches Reinigungsmittel für Brillengläser zu verwenden.

9 Informationen bezüglich Entsorgung und Recycling

Die EU-Richtlinie 2012/19/EU über Elektro- und Elektronik-Altgeräte (WEEE) verpflichtet, dass diese Geräte nicht zusammenn mit festen Haushaltsabfällen entsorgt werden sollten. Diese besonderen Abfällen müssen separat gesammelt werden, um den Rückgewinnungsstrom und das Recycling der darin enthaltenen Materialien zu optimieren, sowie zur Minderung der Einwirkung auf die menschliche Gesundheit und Umwelt aufgrund des Vorhandenseins von potentiell gefährlichen Stoffen.



Das Symbol des gekreuzten Müllbehälters ist auf allen Produkten markiert, um sich daran zu erinnern.

Die Abfälle dürfen an die ausgewiesenen Müllsammelstellen gebracht werden. Andernfalls darf man es kostenlos an den Vertragshändler bringen, bei dem das Gerät gekauft wurde. Das kann beim Einkauf von neuen gleichartigen Produkten passieren oder auch ohne Verpflichtung eines Neukaufes, falls die Größe des Gerätes kleiner als 25 cm ist.

Mehr Informationen über die korrekte Entsorgung dieser Geräte erhalten Sie bei der entsprechenden Behörde.

10 Technische Daten

10.1 Allgemeines

Unterteil aus Aluminium, Pulverlackierung mit Epoxypolyester, Farbe RAL9002

Oberteil und Sonnenschutzdach aus ABS

Externe Schrauben aus rostfreiem Stahl

10.2 Mechanik

Innere Nutzabmessungen: Siehe Zeichnung

Kabelverschraubungen: 4xM16 (auf der Platte)

Platte aus rostfreiem Stahl ohne individuell festlegbare Löcher

Fenster Extraklarglas

- Abmessungen (WxH): Siehe Zeichnung

Einheitsgewicht: 9.2kg

10.3 Elektrik

Versorgungsspannung/Stromaufnahme (Ausführung mit Dreifacheheizung, Lüfter mit kontinuierlichem Zyklus, Ton 15°C±3°C, Toff 22°C±3°C):

- 24Vac, 3.35A max, 50/60Hz
- 230Vac, 0.66A max, 50/60Hz

Versorgungsspannung/Stromaufnahme (vorinstallierter Wischer):

- 24Vac, 0.3A max, 50/60Hz
- 230Vac, 32mA max, 50/60Hz

Kameranzteil

- IN von 100Vac bis zu 240Vac, 50/60Hz - OUT 12Vdc, 1.25A (in der Ausführung 230Vac bereits installiert)

10.4 Umgebung

Montage für den Innen- und Außenbereich

Betriebstemperatur mit Heizung: von -20°C bis zu +60°C

10.5 Zertifizierungen

Elektrische Sicherheit (CE): EN60950-1, EN62368-1

Elektromagnetische Verträglichkeit (CE): EN50130-4, EN61000-6-3

Schutzart IP (EN60529): IP66

EAC-Zertifizierung

11 Technische Zeichnungen



Die Maße sind in Millimetern angegeben.

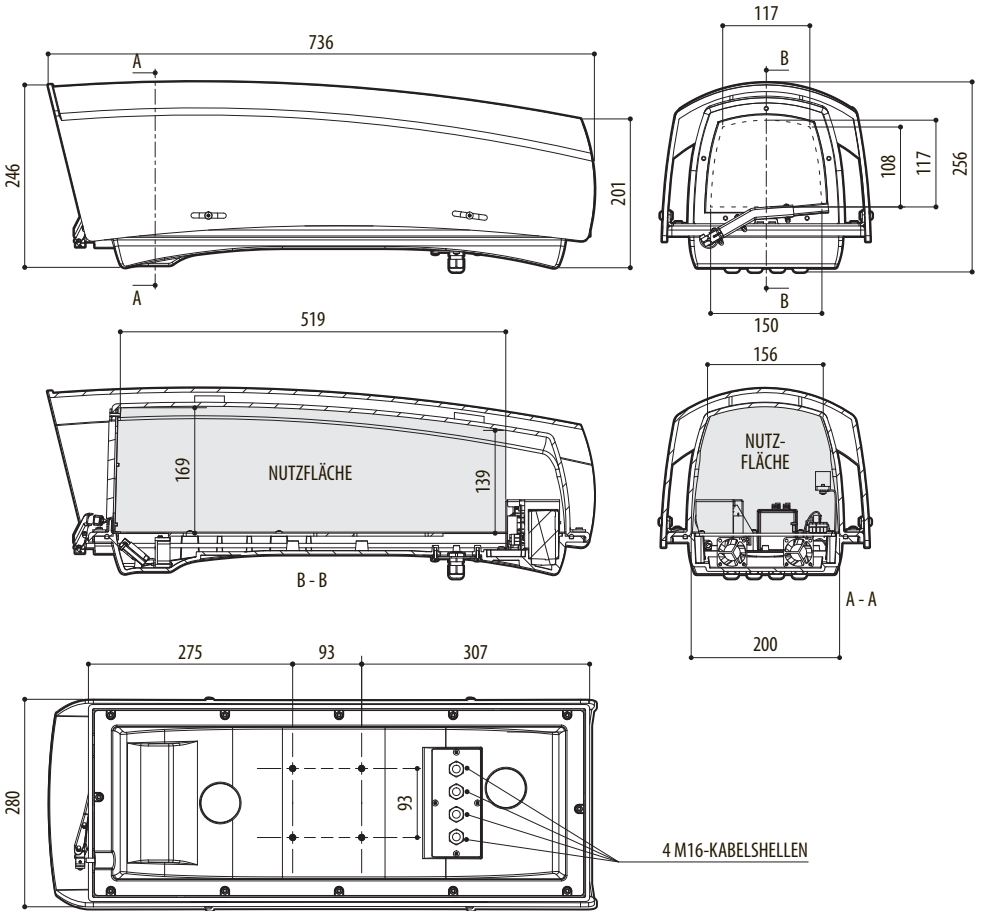


Abb. 23 HG.V.



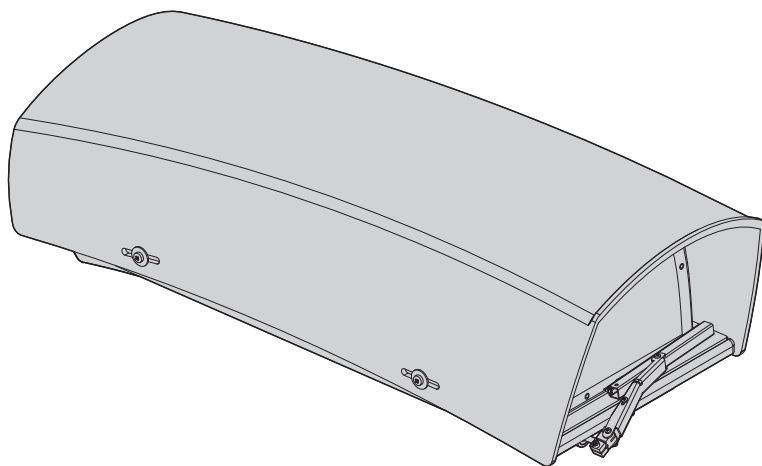
Headquarters Italy VIDEOTEC s.r.l.
Via Friuli, 6 - I-36015 Schio (VI) - Italy
Tel. +39 0445 697411 - Fax +39 0445 697414
Email: info@videotec.com
www.videotec.com

MNVCHGV_2222_DE



HGV

Кожух для камеры очень большого размера



Комплект оборудования

1	О настоящем руководстве	4
1.1	Типографские условные обозначения	4
2	Примечания в отношении авторского права и информация о торговых марках	4
3	Правила техники безопасности	4
4	Обозначение	5
4.1	Описание и обозначение типа устройства	5
4.2	Этикетка с маркировкой продукта	5
5	Подготовка устройства к использованию	6
5.1	Распаковка	6
5.2	Комплект оборудования	6
5.3	Безопасная утилизация упаковочных материалов	6
5.4	Подготовительные работы перед установкой	6
5.4.1	Установка кронштейна	6
6	Монтаж	6
6.1	Установка солнцезащитного козырька	6
6.2	Крепление с помощью настенного кронштейна	7
6.3	Открытие кожуха	7
6.4	Снятие салазок	7
6.5	Крепление объектива и камеры	7
6.5.1	Использование распорки H-20	8
6.5.2	Расположение салазок	9
6.6	Замена пластины с кабельной муфтой на прилагаемую пластину из нержавеющей стали	9
6.7	Крепление щетки стеклоочистителя	10
6.7.1	Крепление пластины с соплом	10
6.8	Описание платы	11
6.9	Подключение линии питания	11
6.10	Подключение стеклоочистителя	12
6.11	Подключение сигнального устройства вскрытия корпуса	12
6.12	Пакет с влагопоглотителем	12
6.13	Закрывание кожуха	12
7	Инструкции по работе в нормальном режиме	13
8	Очистка	13
8.1	Чистка окна и пластмассовых деталей	13
9	Информация об утилизации и переработке	13
10	Технические характеристики	13
10.1	Общие сведения	13
10.2	Механические хар.	13
10.3	Электрические хар.	13
10.4	Окружающая среда	13
10.5	Сертификаты	13

1 О настоящем руководстве

Перед установкой и использованием этого изделия внимательно прочтите всю предоставленную документацию. Всегда держите руководство под рукой, чтобы им можно было воспользоваться в будущем.

1.1 Типографские условные обозначения



ОПАСНОСТЬ!

Высокий уровень опасности. Риск поражения электрическим током. При отсутствии иных указаний отключите питание устройства, перед тем как приступить к выполнению любой операции.



ПРЕДУПРЕЖДЕНИЕ!

Средний уровень опасности. Данная операция крайне важна для обеспечения надлежащего функционирования системы. Внимательно ознакомьтесь с описанием процедуры и выполните ее в соответствии с приведенными указаниями.



INFO

Описание характеристик системы. Рекомендуем внимательно ознакомиться с содержанием этого раздела, для того чтобы понять следующие этапы.

2 Примечания в отношении авторского права и информация о торговых марках

Названия устройств или компаний, упоминаемые в настоящем документе, являются торговыми марками или зарегистрированными торговыми знаками соответствующих компаний.

3 Правила техники безопасности



ПРЕДУПРЕЖДЕНИЕ! Установка и обслуживание устройства должны осуществляться только специализированным персоналом.



ПРЕДУПРЕЖДЕНИЕ! Система электропитания, к которой подключается устройство, должна иметь автоматический двухполюсный выключатель цепи. Выключатель для узлов, работающих в условиях напряжения сети, должен иметь уровень срабатывания макс. 20А. Выключатель для узлов, работающих в условиях низкого напряжения, должен иметь уровень срабатывания макс. 6А. Этот выключатель выбирается из перечисленных в списке. Минимальное расстояние между контактами автоматического выключателя цепи должно составлять 3mm. Выключатель цепи должен иметь защиту от тока КЗ на землю (дифференциальная защита) и защиту от перегрузки по току (термомагнитная защита).

- Производитель не несет ответственности за любые повреждения, возникающие в результате неправильного использования указанного в настоящем руководстве оборудования. Помимо этого, производитель сохраняет за собой право изменять содержание руководства без предварительного уведомления. Представленная в настоящем руководстве документация прошла тщательную проверку. Однако производитель не несет ответственности за ее использование. Аналогичные условия предусмотрены в отношении любого лица или компании, привлеченных для составления и создания данного руководства.
- Перед тем, как приступить к выполнению любых операций, убедитесь в том, что источник питания устройства отключен.
- Не используйте кабели, которые кажутся изношенными или старыми.
- Никогда и ни при каких обстоятельствах не выполняйте изменений или подключений, не предусмотренных настоящим руководством. Ненадлежащее использование оборудования может привести к возникновению серьезных опасных ситуаций, угрожающих безопасности персонала и системы.
- Используйте только оригинальные запасные части. Неоригинальные запасные части могут привести к возникновению пожара, электрического разряда или другой опасной ситуации.
- Перед монтажом проверьте соответствие поставленных материалов спецификациям заказа, сверив идентификационные ярлыки (4.2 Этикетка с маркировкой продукта, страница 5).

- Это устройство разработано для подключения и установки на здании или подходящей конструкции на постоянной основе. Устройство следует надежно закрепить и подключить перед выполнением каких-либо работ.
- При установке устройства должны соблюдаться национальные правила.
- Категория установки (также называемая категорией перенапряжения) указывает на уровень сетевых скачков напряжения, которым подвержено оборудование. Категория зависит от места размещения оборудования и наличия каких-либо устройств защиты от скачков напряжения. Оборудование, устанавливаемое на промышленном объекте и напрямую подключаемое к магистральным линиям сети питания, относится к категории установки III. В этом случае необходимо снизить категорию перенапряжения до II. Этого можно добиться путем использования изолирующего трансформатора с заземленным экраном между первичной и вторичной обмоткой или путем установки устройств защиты от скачков напряжения (УЗСН), UL listed, на участке между фазой и нулем, а также нулем и землей. Сертифицированные устройства защиты от скачков напряжения должны обеспечивать многократное ограничение скачков напряжения и подходить для работы в следующих номинальных условиях: Тип 2 (УЗСН, постоянно подключенные к сети питания и предназначенные для установки на стороне нагрузки вспомогательного оборудования); номинальный ток разряда (In) мин. 20kA. Например, можно использовать: FERRAZ SHAWMUT, STT2240SPG-CN, STT2BL240SPG-CN с номиналом 120Vac/240Vac, (In=20kA). Максимальное расстояние между устройством и ограничителем перенапряжения составляет 5m.
- Каждое устройство, которое может быть установлено внутри изделия, должно соответствовать действующим нормам безопасности.
- Изделие разработано только для размещения телекамер, сертифицированных образом в соответствии с IEC/UL 60950-1 или IEC/UL 62368-1 (7W max).
- Электрическая система оснащается выключателем питания, который можно легко найти и использовать в случае необходимости.

4 Обозначение

4.1 Описание и обозначение типа устройства

Кожух HGV идеально подходит для наружного наблюдения на дальних дистанциях и обеспечения общественной безопасности, а также осуществления видеонаблюдения в портах, береговых зонах, аэропортах, контроля за состоянием окружающей среды и наблюдения на границах.

Прочный корпус с алюминиевой основой, упрощающий установку и обслуживание, а также обеспечивающий полную защиту в любых условиях окружающей среды.

Большие размеры этого кожуха для камеры делают его подходящим для размещения самых больших зум-объективов, представленных на рынке.

Для упрощения доступа при установке и настройке камеры можно отсоединить верхнюю часть кожуха, которая будет удерживаться на тросе безопасности.

4.2 Этикетка с маркировкой продукта

См. ярлык на изделии.

5 Подготовка устройства к использованию



Любое изменение, которое выполняется без разрешения, явным образом предоставленного производителем, аннулирует гарантию.

5.1 Распаковка

При получении устройства убедитесь, что упаковка не повреждена и не имеет явных признаков падения или царапин.

В случае наличия видимых повреждений незамедлительно свяжитесь с поставщиком.

В случае возврата неисправного устройства мы рекомендуем использовать оригинальную упаковку для транспортировки.

Сохраняйте упаковку на случай, если потребуется отправить устройство на ремонт.

5.2 Комплект оборудования

Проверьте комплект оборудования на соответствие представленному ниже списку материалов:

- Кожух
- Оснащение для кожуха:
 - Ключ шестигранник
 - Пластина с форсункой стеклоочистителя
 - Пластина из нержавеющей стали без отверстий для кабельных муфт/соединителей
 - Прокладки
 - Болты и винты
 - Кронштейны для крепления объективов и камер
- Щетка стеклоочистителя
- Руководство по эксплуатации
- Пакет с влагопоглотителем

5.3 Безопасная утилизация упаковочных материалов

Упаковочные материалы могут подвергаться переработке. Технический специалист установщика отвечает за сортировку материалов для переработки, а также за соблюдение требований законодательства, действующего в месте установки устройства.

5.4 Подготовительные работы перед установкой

5.4.1 Установка кронштейна



Устройство должно крепиться с помощью соответствующих приспособлений. Крепежные элементы должны гарантировать механическую герметичность и выдерживать как минимум четырехкратный вес устройства.

6 Монтаж

6.1 Установка солнцезащитного козырька

Закрепите солнцезащитный козырек на кожухе с помощью предоставленных винтов и шайб.

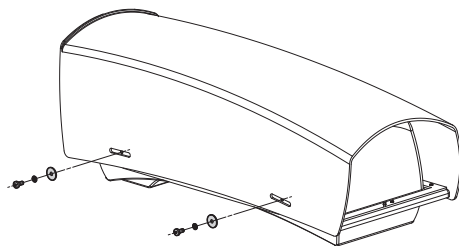


Рис. 1

6.2 Крепление с помощью настенного кронштейна

Прикрепите корпус к кронштейну, используя прилагаемые винты.

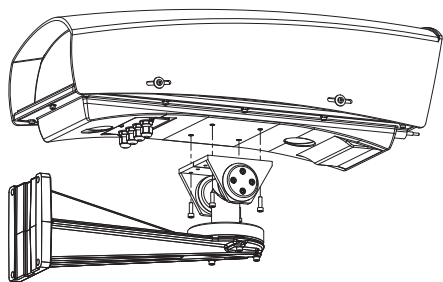


Рис. 2

6.3 Открывание кожуха

Ослабьте винты с защитой от протечек, расположенные по бокам, и поднимите верхнюю часть кожуха.

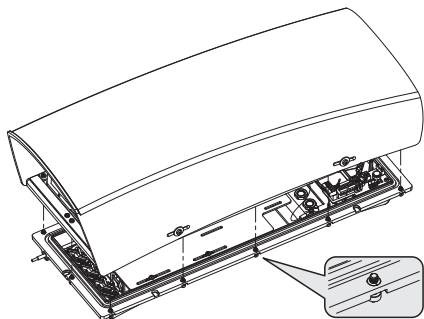


Рис. 3

Поднимите верхнюю часть корпуса со встроенным козырьком и оставьте ее висеть на крепежном шнуре.

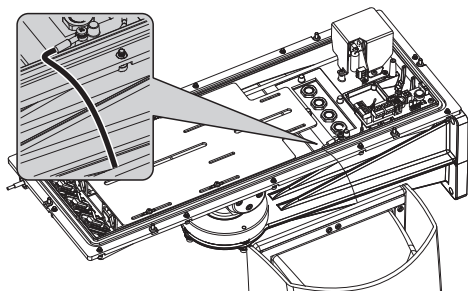


Рис. 4

6.4 Снятие салазок

Для снятия направляющих необходимо открутить крепежные винты, как показано на рисунке.

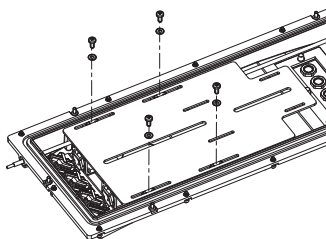


Рис. 5

6.5 Крепление объектива и камеры

Прикрепите камеру (02) к объективу (01).

Прикрепите L-образный алюминиевый кронштейн (03) к камере, используя нейлоновую шайбу и винт 1/4" (04).

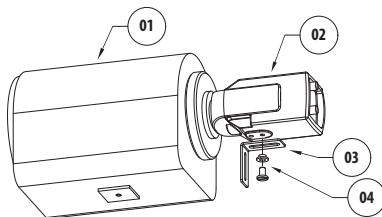


Рис. 6

Разместите объектив на направляющей (02), поместив между ними пластиковую прокладку (01). Закрепите все детали, используя нейлоновую шайбу и винт 1/4" (03).

При необходимости используйте дополнительные прокладки, чтобы правильно разместить камеру и объектив.

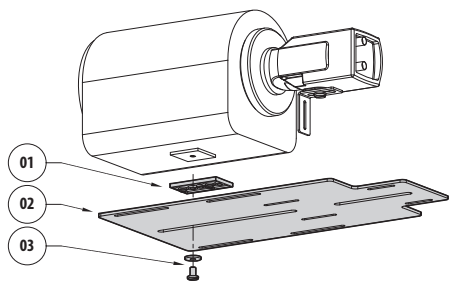


Рис. 7

Закрепите алюминиевую пластину (01) на направляющей с помощью винтов и соответствующих шайб (02).

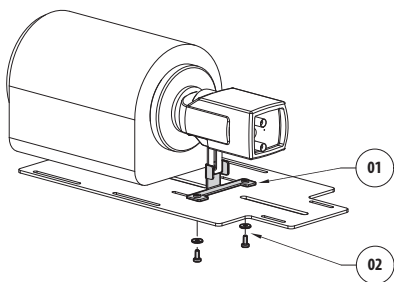


Рис. 8

Закрепите L-образный кронштейн, используя винт (01).

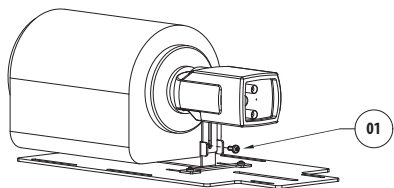


Рис. 9

6.5.1 Использование распорки Н-20

Можно установить распорку Н-20 (02). Закрепите камеру и L-образный кронштейн (6.5 Крепление объектива и камеры, страница 7). Вставьте пластиковую прокладку (01) необходимой толщины и закрепите ее с помощью шайбы и винта (03).

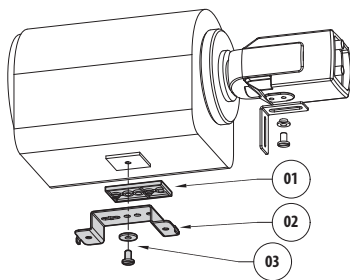


Рис. 10

Расположите объектив с распоркой (01) на салазках (02) и закрепите с помощью прилагаемых шайб и винтов (03).

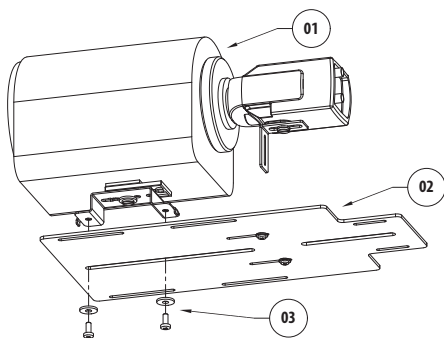


Рис. 11

Закончите установку, как показано на рисунках (Рис. 8, страница 8 и Рис. 9, страница 8).

6.5.2 Расположение салазок

Переместите внутреннюю направляющую с уже закрепленными камерой и объективом в необходимое положение и зафиксируйте ее с помощью входящих в комплект шайб и винтов.

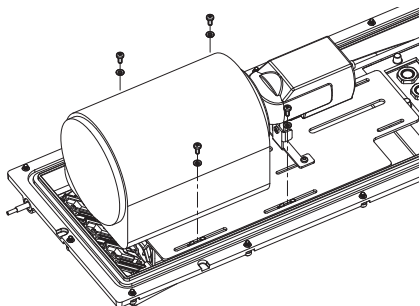


Рис. 12

6.6 Замена пластины с кабельной муфтой на прилагаемую пластину из нержавеющей стали

В случае необходимости просверлите отверстие в прилагаемой пластине.

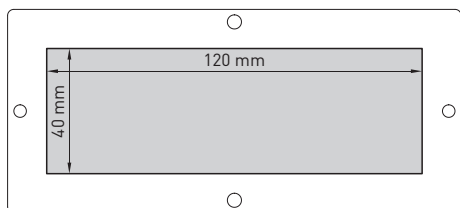


Рис. 13 Предусмотренная зона просверливания.

Замените стандартную пластину, открутив крепежные винты.

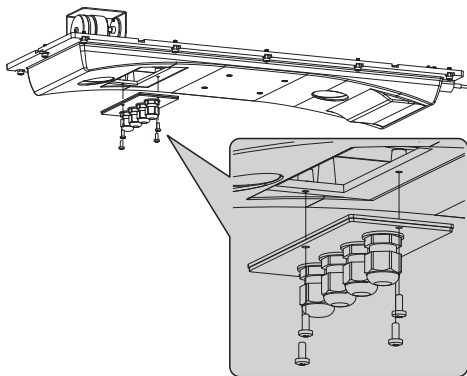


Рис. 14

Вставьте прокладку между новой пластиной и корпусом.

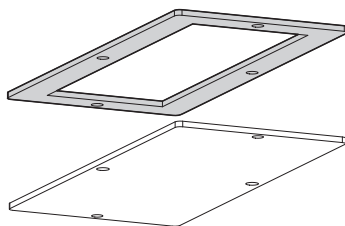


Рис. 15

Зафиксируйте новую пластину, используя крепежные винты (Рис. 14, страница 9).

6.7 Крепление щетки стеклоочистителя

Наденьте щетку на ось щеткодержателя.

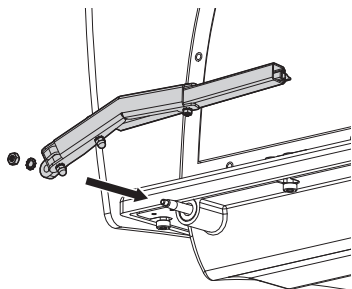


Рис. 16

Переместите щетку в положение покоя.

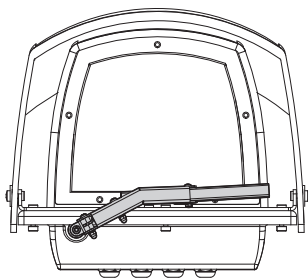


Рис. 17

! При правильной регулировке щетка должна возвращаться в положение покоя, прилегая к нижней части корпуса.

Закрепите с помощью шайбы и гайки.

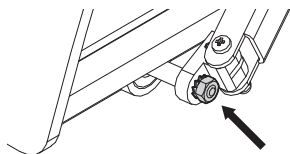


Рис. 18

6.7.1 Крепление пластины с соплом

Закрепите пластину (01) с предварительно собранной форсункой к нижней части корпуса при помощи двух прилагаемых винтов (02).

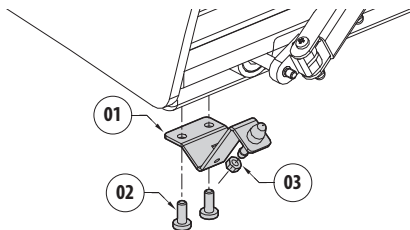


Рис. 19

i При выполнении калибровки струи поверните форсунку в сторону окна кожуа.

Затяните гайку (03), чтобы зафиксировать форсунку на месте.

6.8 Описание платы

i Плата может отличаться от той, что указана на рисунке.

i Плата, в зависимости от версии устройства, может не обладать всеми функциями.

ОПИСАНИЕ ПЛАТЫ		
Разъем	Функция	Примечания
J6	Питание камеры (V _{out})	
J7	Питание платы (V _{in})	В зависимости от модели блока питания, два разъема используются по-разному. Если используется напряжение 12Vdc разъем А соответствует полярности +, а разъем В соответствует полярности -. Если используется напряжение 24Vdc разъемы А и В являются равноценными и соответствуют напряжению переменного тока.
J8	Соединитель для блока питания/перемычки	
J9	Контакты датчика вскрытия (SW1)	Перемычка присутствует только в моделях с вентилятором.
J10	Вспомогательный выход (V _{out})	Одинаковое напряжение, которое подается на J7
SW1	Датчик вскрытия	Только некоторые модели

Табл. 1

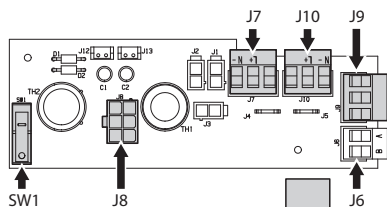


Рис. 20

i Номинальное сечение используемых кабелей: от 0.2mm² (24AWG) до 2.5mm² (13AWG).

6.9 Подключение линии питания

! ПРЕДУПРЕЖДЕНИЕ! Тип используемого кабеля должен быть совместимым с предполагаемым видом использования. Соблюдайте действующие в вашей стране правила, относящиеся к электрическим установкам.

! Подключите клемму защитного заземления к соответствующему разъему источника питания.

! Кабель заземления должен быть длиннее двух других кабелей примерно на 10mm, чтобы предотвратить его случайное отсоединение при натягивании.

Вставьте кабели в корпус через кабельные муфты. Кабельные муфты подходят к проводам, имеющим диаметр от 5mm до 10mm. Часть кабеля внутри кожуха должна иметь достаточную длину и гарантировать подключение. Затяните соответственно кабельные муфты.

Подсоедините провода к клемме (питание платы, 6.8 Описание платы, страница 11).

6.10 Подключение стеклоочистителя

Откройте кожух, следуя указаниям в соответствующем разделе (6.3 Открывание кожуха, страница 7).

Определите клемму платы стеклоочистителя.

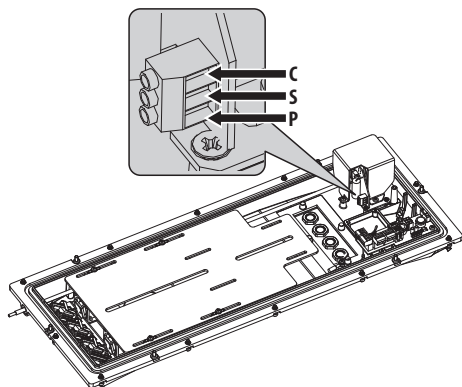


Рис. 21

Подключите плату стеклоочистителя к сети питания, как показано на рисунке.

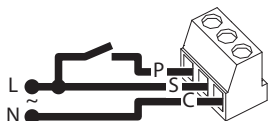


Рис. 22

Нажатие на кнопку активирует стеклоочиститель. При отпускании кнопки щетка стеклоочистителя возвращается в исходное положение.

Если есть приемник с функцией управления стеклоочистителем, подключите клеммы SW, PER и COM, соответственно, к выводам S, P и C платы.

i Номинальное сечение используемых кабелей: от 0.2mm² (24AWG) до 2.5mm² (13AWG).

6.11 Подключение сигнального устройства вскрытия корпуса

! Рабочее напряжение выключателя: макс. 30Vac или макс. 60Vdc.

Найдите на плате клемму датчика вскрытия (контакты датчика вскрытия, Рис. 20, страница 11).

Выполните подключение в соответствии с приведенным в таблице описанием.

ПОДКЛЮЧЕНИЕ ДАТЧИКА ВСКРЫТИЯ	
контакт	Описание
COM	Общий контакт реле
NC	Нормально замкнутый контакт
NO	Нормально разомкнутый контакт

Табл. 2

6.12 Пакет с влагопоглотителем

Достаньте пакетик с влагопоглотителем из упаковки и разместите его в устройстве.

6.13 Закрывание кожуха

! Будьте внимательны при монтаже. Момент затяжки: 1.6Nm

Закройте футляр, действуя в обратном порядке (6.3 Открывание кожуха, страница 7).

7 Инструкции по работе в нормальном режиме



Не используйте стеклоочиститель, если температура окружающей среды ниже 0°C или при наличии льда.

8 Очистка

8.1 Чистка окна и пластмассовых деталей



Не используйте этиловый спирт, растворители, галогенированные углеводороды, сильные кислоты и щелочи. Подобные вещества могут необратимо повредить поверхность устройства.

Мы рекомендуем использовать мягкую ткань с нейтральным мылом, разведенным в воде, или специальные вещества для очистки стеклянных объективов.

9 Информация об утилизации и переработке

Европейская директива 2012/19/ЕС Об Отходах Электрического и Электронного Оборудования (RAEE) предписывает, что данные устройства не следует утилизировать вместе с твердыми бытовыми отходами; их сбор осуществляется отдельно для оптимизации потока их утилизации и переработки содержащихся в них материалов, а также снижения воздействия на здоровье людей и окружающую среду в связи с присутствием потенциально опасных веществ.



Значок с изображением зачеркнутого мусорного контейнера присутствует на всей продукции для напоминания об указанном требовании.

Отходы могут доставляться в соответствующие центры по сбору отходов или бесплатно передаваться дистрибьютору, у которого было куплено оборудование, в момент покупки новой аналогичной продукции или без обязательства совершить новую покупку в случае оборудования, чей размер не превышает 25см.

Для получения более подробной информации о надлежащей утилизации данных устройств вы можете обратиться в уполномоченную государственную организацию.

10 Технические характеристики

10.1 Общие сведения

Основание из алюминия, эпоксиполиэстеровое порошковое покрытие, цвет RAL9002

Верхняя часть и солнцезащитный козырек из АБС-материала

Наружные винты из нержавеющей стали

10.2 Механические хар.

Пространство внутри корпуса: См. рисунок

Кабельные муфты: 4xM16 (на пластине)

Приспосабливаемая пластина из нержавеющей стали

Стеклоанное окно дополнительный ясный

- Размеры (ШxВ): См. рисунок

Вес устройства: 9.2кг

10.3 Электрические хар.

Напряжение сети питания/Потребляемый ток (модель с тройным нагревателем, вентиляторы с непрерывным рабочим циклом, Топ 15°C±3°C, Toff 22°C±3°C):

- 24Vac, 3.35A max, 50/60Hz
- 230Vac, 0.66A max, 50/60Hz

Напряжение сети питания/Потребляемый ток (встроенный стеклоочиститель):

- 24Vac, 0.3A max, 50/60Hz
- 230Vac, 32mA max, 50/60Hz

Питание камеры

- IN от 100Vac до 240Vac, 50/60Hz - OUT 12Vdc, 1.25A (в модели 230Vac уже установлен)

10.4 Окружающая среда

Для установки внутри помещений и наружной установки

Рабочая температура с учетом нагревания: от -20°C до +60°C

10.5 Сертификаты

Электробезопасность (CE): EN60950-1, EN62368-1

Электромагнитная совместимость (CE): EN50130-4, EN61000-6-3

Степень защиты IP (EN60529): IP66

Сертификат EAC

11 Технические чертежи



Размеры указаны в миллиметрах.

RU - Русский - Руководство по эксплуатации

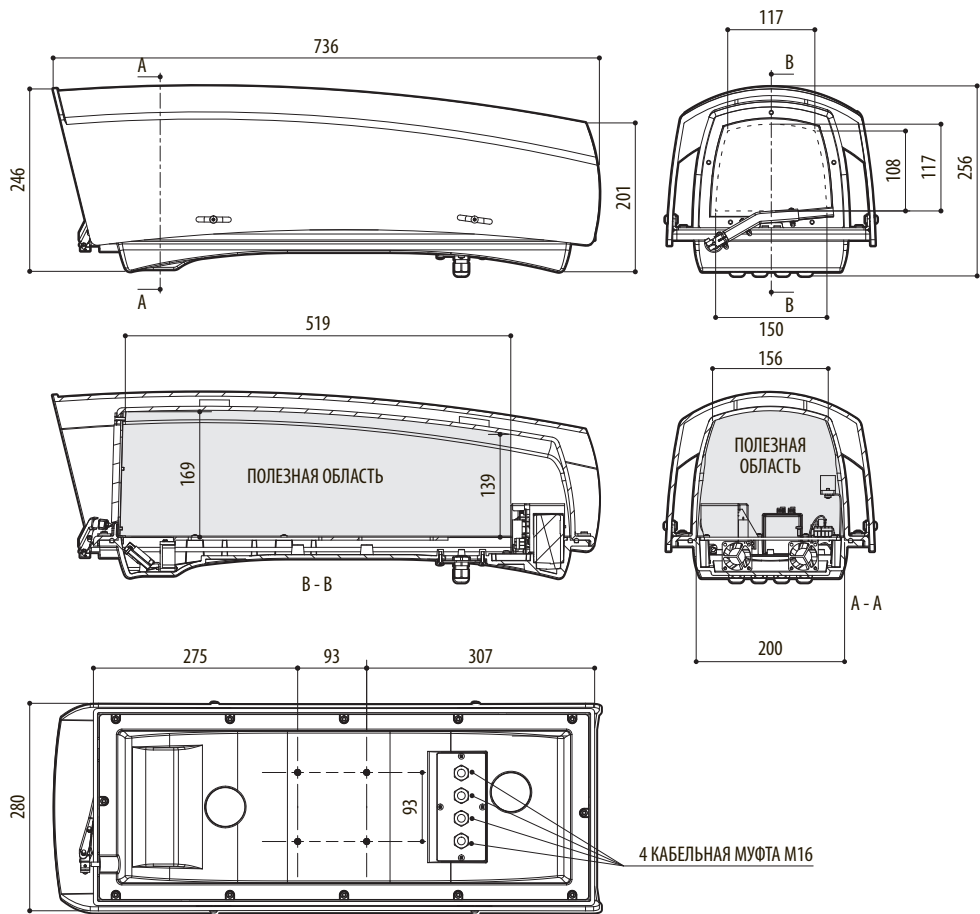


Рис. 23 HG.V.



Headquarters Italy VIDEOTEC s.r.l.
Via Friuli, 6 - I-36015 Schio (VI) - Italy
Tel. +39 0445 697411 - Fax +39 0445 697414
Email: info@videotec.com
www.videotec.com

MNVCHGV_2222_RU



Headquarters Italy VIDEOTEC s.r.l.
Via Friuli, 6 - I-36015 Schio (VI) - Italy
Tel. +39 0445 697411 - Fax +39 0445 697414
Email: info@videotec.com
www.videotec.com

MNVCHGV_2222