

# N71 HD BULLET CAMERA

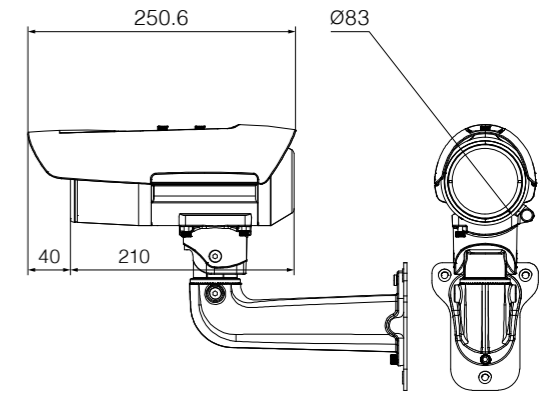


## FEATURES

- ▶ 40 M IR Range
- ▶ Tamron 3x Auto Focus Zoom Lens
- ▶ 1 KM Wi-Fi support
- ▶ Day & Night
- ▶ IP67, Operates from -40°C to 60°C

MODEL	RES.	FPS.	LENS	SENSOR
N71U-ML	2.1 MP	30 fps	3x Optical Zoom, 3~9mm Lens 2.5x Optical Zoom, 9~22mm Lens	Low-light
N71A-ML	1.3 MP	30 fps	3x Optical Zoom, 3~9mm Lens 2.5x Optical Zoom, 9~22mm Lens	Low-light

## DIMENSIONS(unit:mm)



## SPECIFICATIONS

Model	N71U-ML	N71A-ML
Image Sensor	SONY 1/2.8" HD-1080p CMOS	SONY 1/3" 1.3MP CMOS
WDR	N/A	N/A
Num. of Effective Pixels	1920 x 1080 HxV	1280 x 1024 HxV
Lens	N71U-ML 3x Optical Zoom: 3~9 mm, F1.2 N71U-ML 2.5x Optical Zoom: 9~22 mm, F1.6	N71A-ML 3x Optical Zoom: 3~9 mm, F1.2 N71A-ML 2.5x Optical Zoom: 9~22 mm, F1.6
Minimum Illumination	0.05 Lux @ F1.2, 0 Lux(IR on, 9 Pcs High Power LED 40 M)	0.05 Lux @ F1.2, 0 Lux(IR on, 9 Pcs High Power LED 40 M)
Shutter Time(Sec.)	1/3~1/15000 or 1/4~1/15000 Selectable	1/3~1/15000 or 1/4~1/15000 Selectable
Auto Iris	DC Drive	DC Drive
S/N Ratio	More than 39 dB	More than 39 dB
Day/Night	Yes, Built-in ICR, IR Auto-start under 10 Lux	Yes, Built-in ICR, IR Auto-start under 10 Lux
Video Compression	Motion JPEG, MPEG-4, H.264 High Profile	Motion JPEG, MPEG-4, H.264 High Profile
H.264/MJPEG	30fps @ HD-1080p / HD-720p / SXGA / 1024 x 768 / 800 x 600 / D1 / VGA / QVGA / QQVGA	30fps @ SXGA / 1024 x 768 / 800 x 600 / D1 / VGA / QVGA / QQVGA
MPEG4	30fps @ HD-1080p / HD-720p / SXGA / 1024 x 768 / 800 x 600 / D1 / VGA / QVGA / QQVGA	30fps @ SXGA / 1024 x 768 / 800 x 600 / D1 / VGA / QVGA / QQVGA
Video Streaming	Multiple Stream: Support up to 4 Independent Streams with ROI(Region of Interest) Feature Controllable Framerate and Bandwidth CBR/VBR	Multiple Stream: Support up to 4 Independent Streams with ROI(Region of Interest) Feature Controllable Framerate and Bandwidth CBR/VBR
Bitrate	M-JPEG/VBR Mode: 5 Video Quality Level Selectable, MPEG-4/H.264 CBR Mode: 1 M~12 Mbps	M-JPEG/VBR Mode: 5 Video Quality Level Selectable, MPEG-4/H.264 CBR Mode: 1 M~12 Mbps
Video Output	SDTV- Composite Video	SDTV- Composite Video
Image Setting	Compression, Brightness, Contrast, Mirroring, Sharpness, AWB, AES, AGC, BLC, Day/Night Mode, WDR, 4 Privacy Mask Regions	Compression, Brightness, Contrast, Mirroring, Sharpness, AWB, AES, AGC, BLC, Day/Night Mode, WDR, 4 Privacy Mask Regions
Audio Compression	G.711(u-law and a-law)/G.726/AAC	G.711(u-law and a-law)/G.726/AAC
Audio Input	Line In x 1	Line In x 1
Audio Output	Line Out x 1	Line Out x 1
Security	Password Protection, IP Address Filtering, User Access Privilege	Password Protection, IP Address Filtering, User Access Privilege
Network Protocols	TCP/IP, UDP, DHCP, PPPoE, HTTP, HTTPS, DNS, DynDNS, NTP, FTP, SMTP, UDP, RTP, RTSP, RTCP, 3GPP, UPnP, IPv4, SAMBA Client(NAS), IGMP, ICMP, ARP	TCP/IP, UDP, DHCP, PPPoE, HTTP, HTTPS, DNS, DynDNS, NTP, FTP, SMTP, UDP, RTP, RTSP, RTCP, 3GPP, UPnP, IPv4, SAMBA Client(NAS), IGMP, ICMP, ARP
API	CGI, ONVIF Support	CGI, ONVIF Support
Intelligent Video	Video Motion Detection, Tamper Detection	Video Motion Detection, Tamper Detection
Alarm Trigger	Periodical Timer, Intelligent Video and External Digital Input	Periodical Timer, Intelligent Video and External Digital Input
Alarm Event	Intelligent Video, File Upload via FTP and E-mail, E-mail Notification with Snapshot Attachment, External Output Activation, File Recording to SD Card Remote FTP or Remote NAS	Intelligent Video, File Upload via FTP and E-mail, E-mail Notification with Snapshot Attachment, External Output Activation, File Recording to SD Card Remote FTP or Remote NAS
Video Buffer	24 MB Max.	24 MB Max.
Configuration	EtroScan™ Utility, Web UI	EtroScan™ Utility, Web UI
Web Browser	Microsoft IE 8.0 or above, Mozilla Firefox, Google Chrome	Microsoft IE 8.0 or above, Mozilla Firefox, Google Chrome
Local Storage	microSD/SDHC Card Support	microSD/SDHC Card Support
Casing	Metal(Aluminum), IP67, Vandal-proof	Metal(Aluminum), IP67, Vandal-proof
Dimension	95(W) x 95(H) x 251(D) mm	95(W) x 95(H) x 251(D) mm
Weight	1800 g(Including the Bracket)	1800 g(Including the Bracket)
Processor & Memory	ARM 9 Base SoC, 256 MB RAM, 128 MB Flash	ARM 9 Base SoC, 256 MB RAM, 128 MB Flash
Power	Power over Ethernet IEEE 802.3af, Max. 13.5 W, 8~25 Vdc, 24 Vac	Power over Ethernet IEEE 802.3af, Max. 13.5 W, 8~25 Vdc, 24 Vac
I/O Connectors	1. RJ-45 Female Type 10BASE-T/100BASE-TX 2. 2-pin Terminal Block for DC/AC Power Input 3. 9-pin Terminal Block for DI, DO, RS-485, Light Sensor Trigger In/Out 4. Audio Line In/Out 5. microSD Card Slot 6. mini USB Female for External WiFi Dongle 7. Reset	1. RJ-45 Female Type 10BASE-T/100BASE-TX 2. 2-pin Terminal Block for DC/AC Power Input 3. 9-pin Terminal Block for DI, DO, RS-485, Light Sensor Trigger In/Out 4. Audio Line In/Out 5. microSD Card Slot 6. mini USB Female for External WiFi Dongle 7. Reset
Failover	microSD/SDHC Auto-recovery, Reset	microSD/SDHC Auto-recovery, Reset
Operating Condition	-40°C~60°C(-40°F~140°F) Humidity: 20%~80% RH	-40°C~60°C(-40°F~140°F) Humidity: 20%~80% RH
Wireless Support	Yes, External USB Dongle, Supporting 802.11n Wi-Fi/Outdoor Antenna Box Optional	Yes, External USB Dongle, Supporting 802.11n Wi-Fi/Outdoor Antenna Box Optional
Included Accessories	QIG, Power Adapter, Power Cable, Video Out Cable, CD-ROM(User Manual, Free Bundle NVR), Bracket(3-Axis Bracket Optional)	QIG, Power Adapter, Power Cable, Video Out Cable, CD-ROM(User Manual, Free Bundle NVR), Bracket(3-Axis Bracket Optional)
Approvals	FCC Part15 Subpart B, CE EN55022 Class B, EN55024, LVD, RoHS	FCC Part15 Subpart B, CE EN55022 Class B, EN55024, LVD, RoHS
IR Range	40 M	40 M
Number of IR LED	9(High Power LED)	9(High Power LED)
IR Angle	IR View Angle: 90°	IR View Angle: 90°
IR Wavelength	850 nm	850 nm