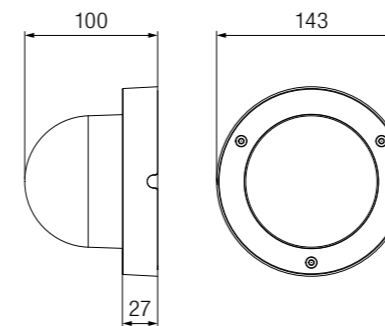


N57

MEGAPIXEL BULLET CAMERA

DIMENSIONS (Unit:mm)



SPECIFICATIONS

Model	N57F-M H.265	N57Q-M H.265	N57U-M H.265
Image Sensor	1/1.8" 5 MP	1/2.8" 3 MP	1/2.8" 2 MP
WDR	Dual-shutter, up to 120 dB	Dual-shutter, up to 120 dB	
Num. of Effective Pixels	2592 x 1944 HxV	2048 x 1536 HxV	1920 x 1080 HxV
Lens	4~8 mm Motorized F1.65	3~9 mm Motorized F1.7	
Field of View (H/V/D)	108°/71°/132°	102.8°/74.6°/136.7°	113.5°/59.8°/136.4°
Minimum Illumination	0.05 lux, 0 lux (IR On)	0.05 lux, 0 lux (IR On)	
Shutter Time (Sec.)	1/3~1/15000 or 1/4~1/15000 Selectable	1/3~1/15000 or 1/4~1/15000 Selectable	
Auto Iris	P-Iris	P-Iris	
S/N Ratio	More than 39 dB	More than 39 dB	
Day/Night	Yes, Built-in ICR, <10 lux IR Enabled	Yes, Built-in ICR, <10 lux IR Enabled	
Video Compression	Motion JPEG, H.264 High Profile, H.265 Main Profile	Motion JPEG, H.264 High Profile, H.265 Main Profile	
H.264/H.265	30 fps: 5 MP	30 fps: 3 MP	30 fps: 2 MP
MJPEG	8 fps: 5 MP	8 fps: 3 MP	8 fps: 2 MP
Video Streaming	Supports Multiple Independent Streams with Cropped Feature, ROI, Controllable Framerate and Bandwidth CBR/VBR	Supports Multiple Independent Streams with Cropped Feature, ROI, Controllable Framerate and Bandwidth CBR/VBR	
Video Output	N/A	N/A	
Image Setting	Brightness, Contrast, Saturation, Sharpness, AWB, AES, AGC, BLC, Day/Night Mode, WDR, Flip, Mirror, 90/270 Rotation, 2D/3D Noise Reduction, 10 Privacy Mask Regions	Brightness, Contrast, Saturation, Sharpness, AWB, AES, AGC, BLC, Day/Night Mode, WDR, Flip, Mirror, 90/270 Rotation, 2D/3D Noise Reduction, 10 Privacy Mask Regions	
Audio Compression	G.711, G.726, AAC	G.711, G.726, AAC	
Audio Input	Built-in Microphone, Line In x 1	Built-in Microphone, Line In x 1	
Audio Output	Line Out x 1	Line Out x 1	
Security	Password Protection, IP Address Filtering, User Access Privilege	Password Protection, IP Address Filtering, User Access Privilege	
Network Protocols	TCP/IP, UDP, DHCP, HTTP, HTTPS, DNS, DynDNS, NTP, FTP, SMTP, RTP, RTSP, RTCP, UPnP, IPv4/v6, SAMBA Client (NAS), IGMP, ICMP, ARP, SNMP, QoS	TCP/IP, UDP, DHCP, HTTP, HTTPS, DNS, DynDNS, NTP, FTP, SMTP, RTP, RTSP, RTCP, UPnP, IPv4/v6, SAMBA Client (NAS), IGMP, ICMP, ARP, SNMP, QoS	
IVA	Motion Detection Tamper Detection Intelligent Video Digital Input	Motion Detection Tamper Detection Intelligent Video Digital Input	
Alarm Trigger	Periodic Timer Network Disconnect Audio Detection	Periodic Timer Network Disconnect Audio Detection	
Alarm Event	1. Event Notification using HTTP, SMTP 2. File Recording to SD Card and NAS, Upload to FTP 3. Voice Alert, Digital Output	1. Event Notification using HTTP, SMTP 2. File Recording to SD Card and NAS, Upload to FTP 3. Voice Alert, Digital Output	
Web Browser	Microsoft IE, Mozilla Firefox, Google Chrome	Microsoft IE, Mozilla Firefox, Google Chrome	
Local Storage	microSDXC Card	microSDXC Card	
Casing	IP67 IK10	IP67 IK10	
Dimension	142.8 (Ø) x 100 (H) mm	142.8 (Ø) x 100 (H) mm	
Weight	660 g	660 g	
Power	Power over Ethernet IEEE 802.3af, Max. 13 W, 12 Vdc 1. RJ-45 Female Type 10BASE-T/100BASE-TX 2. 5-pin Terminal Block for 12 Vdc Input, Audio Line In/Out 3. 4-pin Terminal Block for DI, DO	Power over Ethernet IEEE 802.3af, Max. 13 W, 12 Vdc 1. RJ-45 Female Type 10BASE-T/100BASE-TX 2. 5-pin Terminal Block for 12 Vdc Input, Audio Line In/Out 3. 4-pin Terminal Block for DI, DO	
I/O Connectors	microSDXC Auto-recovery, Reset	microSDXC Auto-recovery, Reset	
Failover	-30~60°C (-22~140°F), Humidity: 85% RH (Non-condensing)	-30~60°C (-22~140°F), Humidity: 85% RH (Non-condensing)	
Operating Conditions	N/A	N/A	
Wireless Support	QIG, Desiccant Stick, Star Key Wrench, Screw Pack	QIG, Star Key Wrench, Screw Pack	
Included Accessories	Wall Mount, Conduit Box	Wall Mount, Conduit Box	
Optional Accessories	FCC, CE, LVD, RoHS	FCC, CE, LVD, RoHS	
Approvals	30 m	30 m	
IR Range	850 nm	850 nm	
IR Wavelength	ONVIF Profile S, Specification at www.onvif.org	ONVIF Profile S, Specification at www.onvif.org	