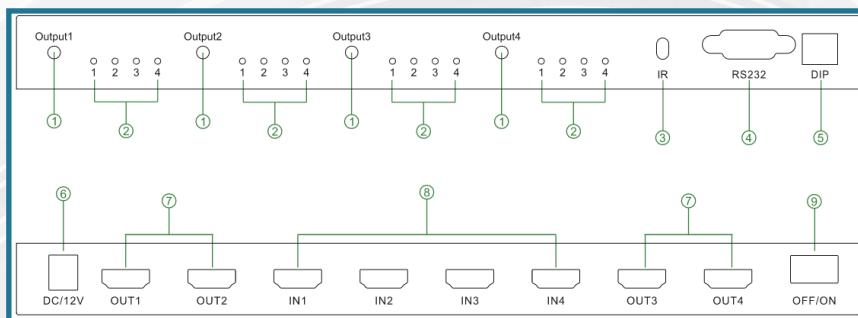


- Very compact structure
- Stable and reliable
- Economical and cost-effective
- Support 3D
- Support IR Remote Control
- Support RS232 Control
- The four outputs could show the same or different source simultaneously
- Support 4K (input) resolution 2K (output) (Downscaling)

HDMI version	HDMI 2.0/HDCP2.0
HDMI resolution	up to 4K/60Hz
Support video format	8/10/12 bit deep color
Support audio format	DTS-HD / Dolby-trueHD / LPCM7.1 / DTS / Dolby-AC3 / DSD
Max baud rate	18Gbps
Input cable distance	≤10m AWG24
Output cable distance	≤10m AWG24
HDMI Input	4
HDMI Output	4
Max working current	1.6A
Power adapter format	Input: AC (50HZ, 60HZ) 100V-240V; Output: DC12V/2A
Operating Temperature range	(-15 to +45°C)
Operating Humidity range	5 to 90%RH (No Condensation)
Dimension (L x W x H)	276 x 143 x 26 (mm)
Weight	720.5g



- | | |
|---|-------------------------|
| 1. Output selection | 6. DC/12V |
| 2. LED indicator of Input for each output selection | 7. HDMI Output 1-4 port |
| 3. IR port | 8. HDMI Input 1-4 port |
| 4. RS232 port | 9. Power switch |
| 5. EDID | |