



HARDWARE INSTALLATION AND OPERATION MANUAL

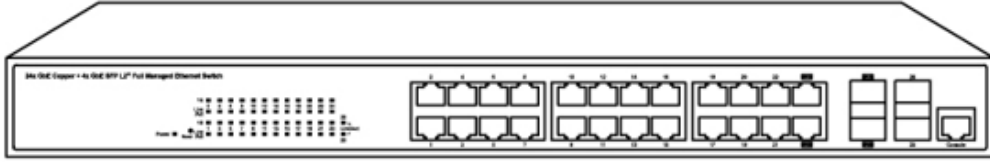
CWX52F4T48MP

**48-Port 10/100/1000M PoE+ and 4-Port 10G SFP+ L2+
Managed PoE Switch**

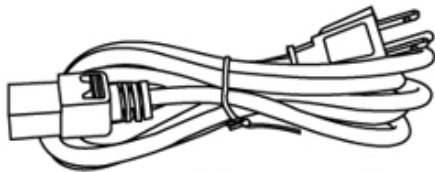


1.1. Packet Contents

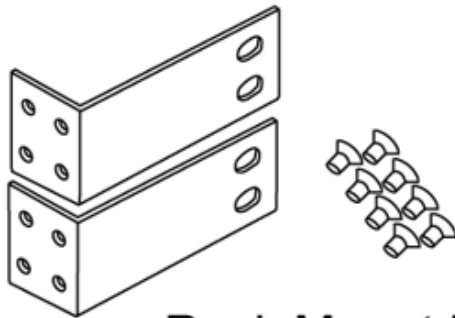
Before you start to install this PoE+ Ethernet Switch, please verify your package and check if the following items are present:



Switch



Power Cord



Rack Mount Kit

- 1 × PoE Ethernet Switch
- 1 × AC Power Cord
- Accessory: 11" to 19" Rack-mount Kit for Rack Installation (Contact Sales)

Note: If any of these items is found missing or damaged, please contact your local supplier for replacement.

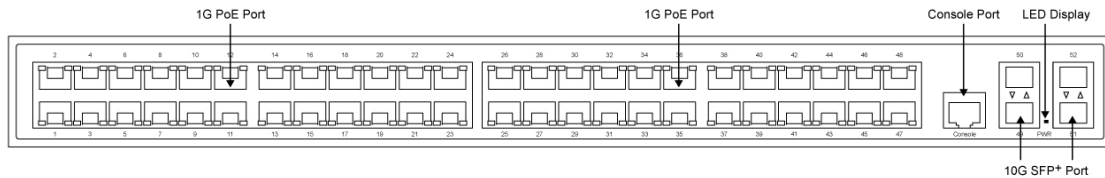
Hardware – Hardware Installation

1.2. Hardware Description

This section mainly describes the hardware of Full-Management PoE switch and gives a physical and functional overview of the switch.

Front Panel

The front panel of the switch consists of 48 10/100/1000 Base-TX RJ-45 ports and 4 10 Gigabit SFP+ ports. The LEDs are also located on the front panel.



LED Indicators

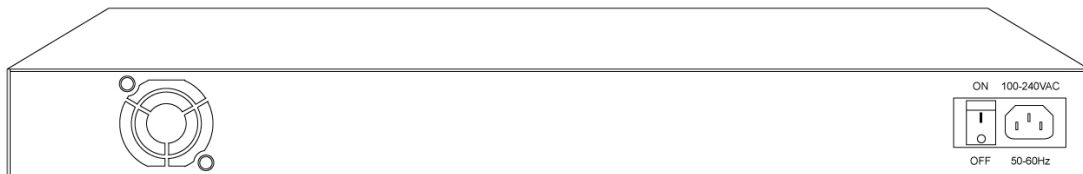
The LED Indicators present real-time information of systematic operation status. The following table provides a description of LED status and their meaning.

LED	Color / Status	Description	No. of LEDs
Power	On	Power on	1
Link/ACT	On	Link Up	1~48
	Blinking	Data Activating	1~48
PoE	On	PD Connected	1~48
	Blinking without Link/ACT LED On	PoE Budge Depleted*	1~48
SFP	On	Linked to Power Device	49~52
	Blinking	Data Activating	49~52

*If a new PD is connected to the PoE switch and the PoE budget is depleted, the PoE LED will start blinking. No Power will be provided, and the user must allocate PoE power manually.

Rear Panel

The rear panel of the Full-Management PoE switch contains a power switch, cooling fans, and an IEC 60320 plug for power supply.



Note: The location/number of the switch's fan(s) might be different in different models.

PoE Budget

Max. Power/Power Type	Power Supply #	PoE Budget
Max. 940W	2*	860W

***Note:** Dual power supply is load sharing only. It is not redundant.

Hardware – Hardware Installation

Brackets & Rack-mounting Installation

The switch comes with 2 L shaped brackets & 8 screws, allowing you to fasten your switch to a 19-inch rack.

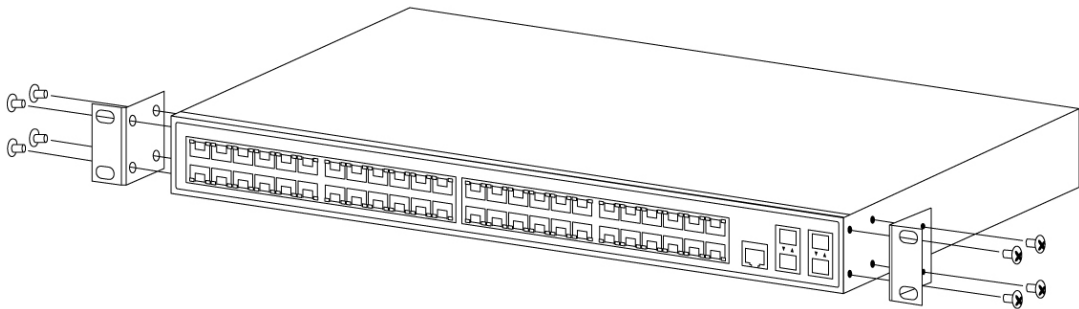
The following sections will guide you to install L shape brackets on the switch and install the switch to a 19-inch rack.

1. Please take the Rack-mount Kits and screws out of the package. A cross screwdriver is needed as well.

Power off your switch and place it on a flat surface (i.e. a table).

Fasten the 2 Rack-mount Kits to the side of the switch with your cross screwdriver, as shown in the pictures above.

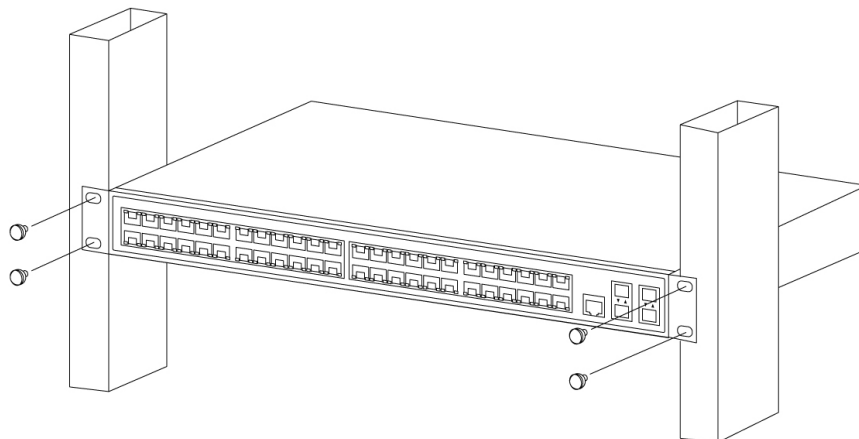
Please fasten all the screws that come with the switch. Using insufficient amount of screws might cause the Rack-mount Kits unable to support your switch's weight as well.



2. Before mounting this switch on a rack, please install the Rack-mount Kits to the switch first as mentioned above.

It is recommended using M5 or M6 rack screws for rack mounting. Contact your rack's manufacturer if you're not sure which rack screw to use. Using unfit rack screws might cause damage to your rack or the switch's Rack-mount Unit. Even more, unfit screws might not be able to support the switch's weight and causing it to drop from rack.

You need 4 rack screws to mount the switch on your rack. Fasten all 4 rack screws to your rack as shown in the picture down below.



Hardware – Hardware Installation

Ethernet Cable Request

The wiring cable types are as below:

- **10 Base-T:** 2-pair UTP/STP CAT. 3, 4, 5 cable, EIA/TIA-568 100-ohm (Max. 100m)
- **100 Base-TX:** 2-pair UTP/STP CAT. 5 cable, EIA/TIA-568 100-ohm (Max. 100m)
- **1000 Base-T:** 4-pair UTP/STP CAT. 5 cable, EIA/TIA-568 100-ohm (Max. 100m)
- **PoE:** To deliver power properly, it is recommended to use CAT 5e and CAT 6 cable. Ethernet cables of higher quality can reduce the power lost during transmission.

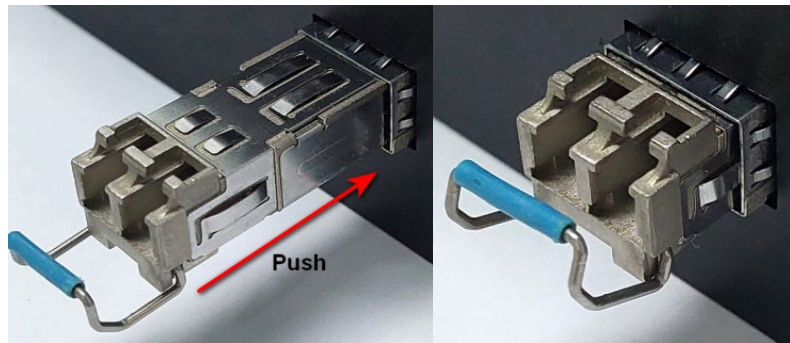
Before Installing SFP Transceiver/Optical Cable

While installing the SFP transceiver, make sure the SFP type of the 2 ends is the same and the transmission distance, wavelength, fiber cable can meet your request. It is suggested to purchase the SFP transceiver with the switch provider to avoid any incompatible issue.

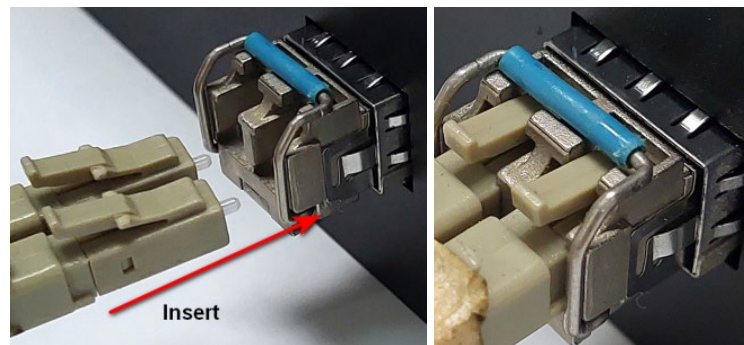
Installing SFP Transceiver and Optical Cable

Please follow the steps down below to install SFP transceiver and optical cable on the switch.

1. Insert the SFP transceiver into the switch's SFP slot until you hear a clicking sound.



2. Insert the optical fiber into the SFP transceiver until you hear a clicking sound.

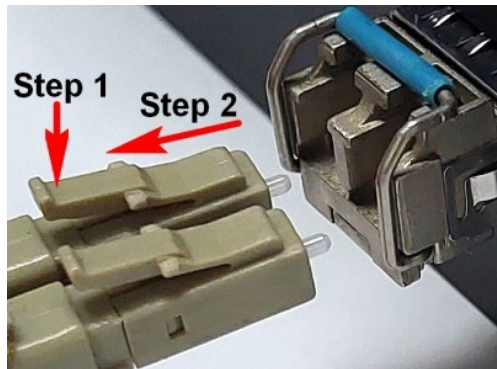


Hardware – Hardware Installation

Uninstalling SFP Transceiver and Optical Cable

Please follow the steps down below to uninstall SFP transceiver and optical cable on the switch.

1. Press and hold the latch on the optical fiber and pull the optical fiber out of the SFP transceiver, as shown in the figure down below.



2. Pull down SFP transceiver's bale clasp, hold it, and pull the SFP transceiver out of the switch's SFP port.

