



# H21-041-30-075 Outdoor Unmanaged PoE Switch

## Quick Installation Guide

P/N: A625003600G  
Version : V2.0

### INTRODUCTION

The H21-041-30-075 is a 4 port 10/100BaseT PoE switch capable of feeding 15.4/30W (54V max. per port) power to Power over Ethernet (PoE) devices. It comes with another 1x FE RJ45 uplink port.

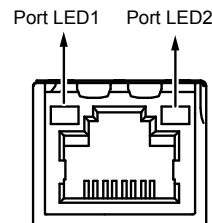
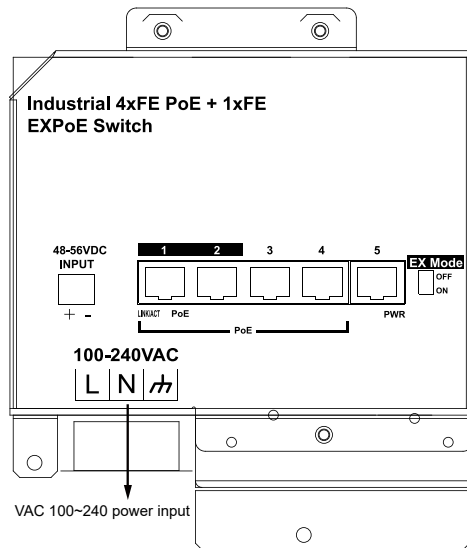
### PACKAGE CONTENTS

* 1x PoE switch	* 1x Quick Installation Guide
* 1x T25 L-wrench	

### ⚠ IMPORTANT:

1. Install the PoE switch in a ventilated and dry place that is free of electromagnetic source, vibration, moisture, and dust.
2. Make sure the ventilation openings on the switch are not blocked.
3. Use CAT5 or 5e UTP/STP cables.
4. AC input (100~240V/AC, 50~60Hz)
5. IP67 rated housing
6. Although housing is IP67 rating , this is not suitable for water jets.

### CONNECTION



### EX MODE DIP SWITCH

EX ON	Ports 1 & 2 up to 250m PoE distance. When enabled, each port is isolated, but is linked to the uplink ports.
EX OFF	Normal communication for ports 1 ~ 5.

\* EX mode in 802.3af (15.4W): camera connection up to 250m@10Mbps via EXPoE ports.

\* EX mode in 802.3at (30W): camera connection up to 200m@10Mbps via EXPoE ports.

### Restart the switch after changing the Extensive mode.

\*Effect factors

1. Must connect a PoE PD.
2. Poor cabling quality with insufficient copper.
3. IP camera's networking design could not support 10Mbps@250m transmission.

\*\*Suggestion

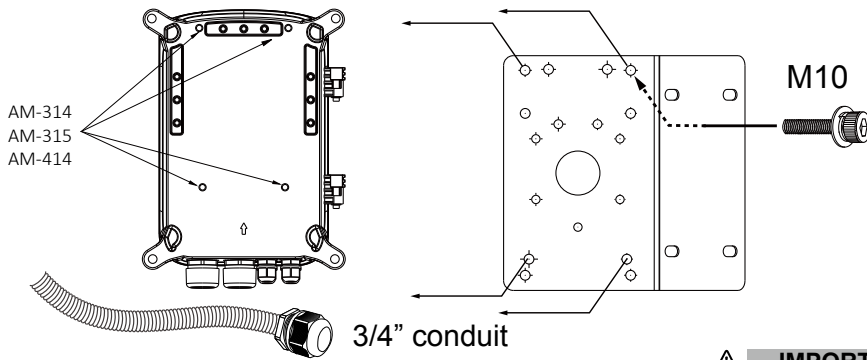
1. Checking the interoperability reaching 10Mbps@250m before physical deployment.
2. Adjust to "EX Mode OFF" reaching 10/100Mbps@100m if "EX Mode ON" is fail.

### LED DEFINITIONS

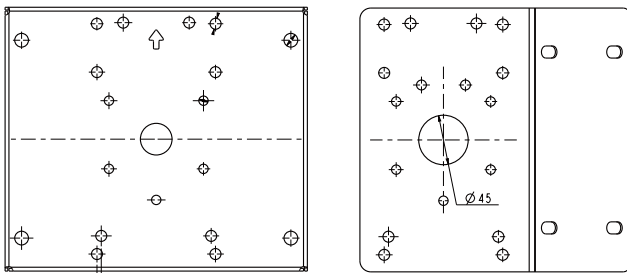
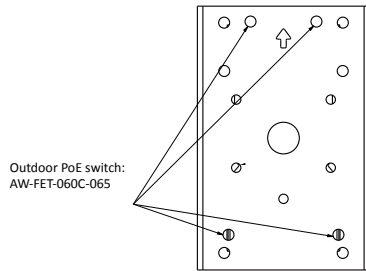
Power	Orange ON	Power is on and normal.
	Orange Off	Power is off.
Link/Act	Green ON	Ethernet port is connected.
	Green Off	No connection.
	Green blinking	Data is being transmitted or received.
PoE	Orange ON	Port is linked to a powered device.
	Orange Off	No device is connected.
	Orange blinking	Abnormal power supply is detected.

## INSTALLATION

Use the included M10 hex socket screws to secure the power box to a pole-mount or corner mount bracket.



The mounting hole definition is illustrated below. The same mounting hole pattern apply to all pole-mount and corner-mount brackets.

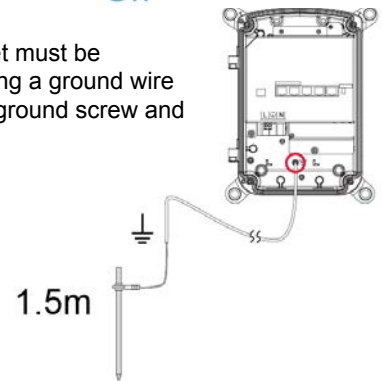


### IMPORTANT:

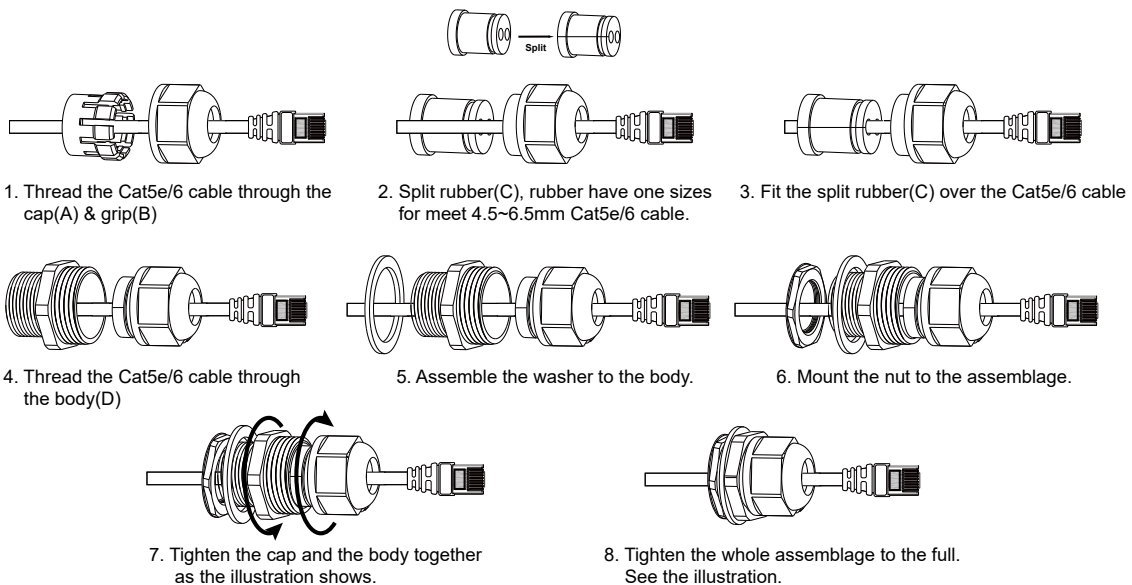
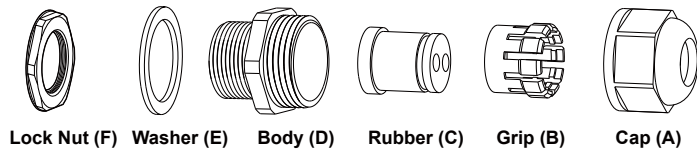
1. If the need should arise for connecting two outdoor switches, use the uplink ports #4 or #5. If you use PoE ports for cross-switch connections, the 12KV surge protection will not apply.



2. The cabinet must be grounded using a ground wire between the ground screw and earth ground.



## ASSEMBLE CABLE GLANDS



All specifications are subject to change without notice.  
Copyright © 2023 AETEK INC. All rights reserved.